



MAKE MORE PROFIT

**SAVE** **TIME**  
**LABOR**  
**MONEY**

GO BRIGHTER

GAME CHANGING LIGHTING SOLUTIONS  
FOR SIGN INDUSTRY.

2023  
Product  
Catalog

# Who we are

## Vision

To be a pioneer company that delivers game changing products and state-of-the-art innovative technology to the sign and lighting industry.

## Mission

TMT LEDs is dedicated to being the most reliable and preferred supplier to our customers globally.

TMT LEDs designs, engineers, prototypes and manufactures our products in house using globally sourced components and our state-of-the-art manufacturing facility located in the Europe side of Turkey with sales and warehousing in the USA. By injection molding all of the plastic components, designing and manufacturing the electronics on our fully automated SMD production line and final assembly with the most modern robotic equipment, we are able to ensure that the quality of our product remains unparalleled while making our lighting systems affordable.

Since 2008, TMT LEDs has dedicated itself to design, develop and manufacture LED Lighting Solutions for the Sign and Lighting industries. Our parent company, TMT Holdings AS opened in 1933. We are now a third generation family owned company with 7 active subsidiaries in the sign, lighting, machine and automation, software, real estate and construction industries.

We are excited to provide reliable products at an affordable price to our customers globally.







Lower your System  
Cost up to **30%**  
or more..

MAKE MORE PROFIT



GO BRIGHTER

Revolutionary engineering delivers lowest system cost through superior performance, reduced installation time and power requirements

Higher lumen output per watt =  
**Fewer Power Supplies**

High Efficiency + Best Light Dispersion =  
**Lower Module Count**

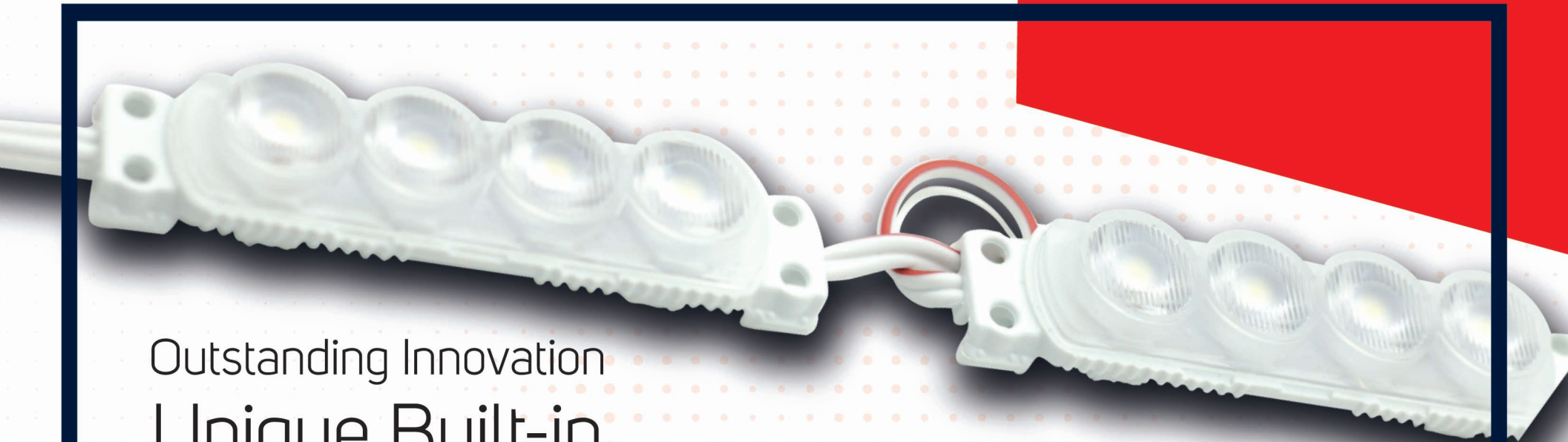
Lower Module Count + Fewer Power Supply =  
**Lower Material Cost**

Lower Module Count + Fewer Power Supplies =  
**Reduced Labor Cost**

Reduced Material Cost + Reduced Labor Cost =  
**Higher Profits**

How?

SCORE MORE WINS FOR YOU AND  
YOUR CUSTOMERS WITH  
TMT LEDS USA



# Outstanding Innovation Unique Built-in **Cable Hiding** Technology

Our team of innovators developed the patent pending cable hiding technology built into our modules. This design feature allows the installer to adjust the gap between modules while hiding the excess wire behind the module. This unique feature eliminates unwanted shadows caused by excess wire without the need for additional cable holder components, reducing manufacturing time and material cost and delivering a more flexible lighting solution.



**It helps save you time and money.**



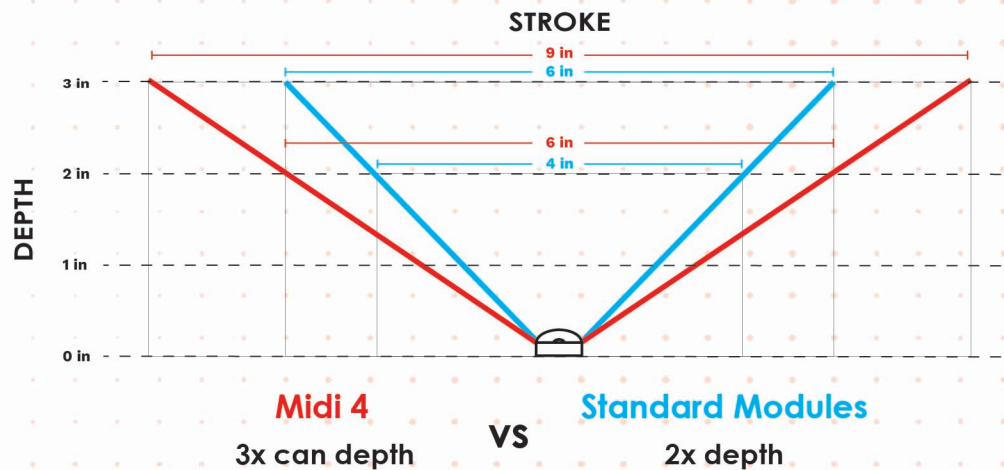
# CrystaLens Optics and **CleanWhite** Technology

All TMT LEDs modules utilize our CrystaLens Optics Technology.

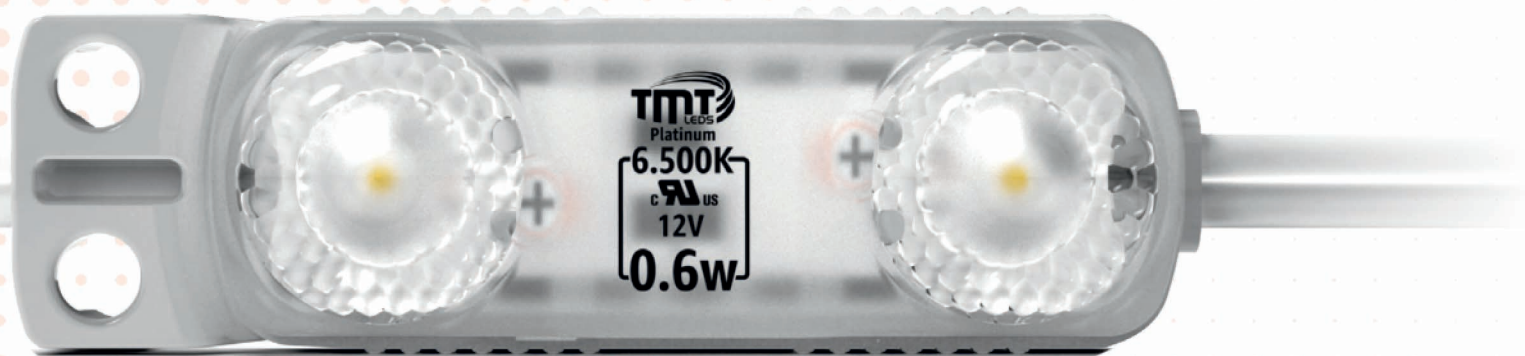
This revolutionary feature provides a wider light dispersion angle that spreads the light uniformly over the angle, allowing us to stretch the module chain, reducing the total module count needed to uniformly light the sign.

Many other LED products in the market emit a yellowish ring around the light that contaminates the white color of the light. Thanks to our CrystaLens Optics Technology, we are able to eliminate this flaw and deliver the highest quality, uniform white light which we call "CleanWhite" technology.

Regardless of the application, our CleanWhite technology provides the cleanest light in the market. It provides superior illumination for digital prints and translucent vinyl applications without compromising the integrity of the graphics colors.



**It helps you have brighter, better looking signs.**



# Unique Groundbreaking **Efficiency**

Brilliant engineering, exceptional circuit design and utilizing only the highest quality components allows us to provide the greatest efficiency innovations in the market.

Delivering up to 178 LM/W @ 12V inputs differentiates us from the standard sign modules in the market that only provide around 90-120 LM/W. We call this "Groundbreaking Efficiency."

This game changing performance reduces your system cost by using fewer modules and power supplies and reducing labor and delivering increased quality of light. TMT LEDs lighting solutions allows you to provide your customers with a better product at a lower cost.

**That's a winning game plan!**

## **SAVE YOUR CUSTOMERS MONEY WHILE REDUCING THEIR CARBON FOOTPRINT!**

Using the TMT LEDs Game Changer products for your customer's signage projects reduces the operating cost by 30% or more over competing lighting systems.

Reduced electricity cost + lower environmental impact = **WINNING LIGHTING SOLUTION**

6



# Game Changing Led Module Solutions

TMT LED Lighting products are designed for all range of applications, including face-lit and edge-lit




From shallow to deep can depts you can choose your applicatable product.



TMT LEDs innovative lighting solutions are tailor-made for both channel letter and sign cabinet applications. Whether you need to light small, shallow channel letters with a narrow stroke width using our Tiny product line, lighting massive channel letters and sign cabinets using our Midi 3 and Midi 4 product lines, or illuminating shallow trade show and point of purchase displays using the Midi Edge product, TMT LEDs has a lighting system tailor made for you!

**Quality**  
**Innovation**  
**Efficiency**

# Recommended Product Selector for Channel Letter

	Product Name	Voltage	Power	Lm/Module	Efficiency	Lm/Foot	Module Per Foot	Size	Can Depth													
									1"	2"	3"	4"	5"	6"	7"	8"	9"	10+"				
	Tiny	12V	0.36W	115	115	246	6	0.33" x 0.63"	Optimal	Optimal	Optimal	Acceptable										
	Tiny Colors	12V	0.36W	11	31	66	6		Optimal	Optimal	Optimal	Acceptable										
	Mini 2	12V	0.6W	102	170	163	1.6	1.93" x 0.57"		Optimal	Optimal	Optimal	Acceptable									
	Mini 2 HO	12V	0.8W	132	165	211	1.6				Optimal	Optimal	Optimal	Acceptable	Optimal	Optimal	Optimal	Optimal	Optimal	Optimal	Optimal	
	Midi 4 12V	12V	1.2W	192	165	230	1.2	3.3" x 0.79"	Acceptable	Optimal	Optimal	Optimal	Optimal	Optimal	Optimal	Optimal	Optimal	Optimal	Optimal	Optimal	Optimal	
		12V	1.6W	256	160	307	1.2		Acceptable	Optimal	Optimal	Optimal	Optimal	Optimal	Optimal	Optimal	Optimal	Optimal	Optimal	Optimal	Optimal	
		12V	2W	300	150	300	1		Acceptable	Optimal	Optimal	Optimal	Optimal	Optimal	Optimal	Optimal	Optimal	Optimal	Optimal	Optimal	Optimal	
	Midi 4 Red	12V	1.2W	48	40	58	1.2		Acceptable	Optimal	Optimal	Optimal	Optimal	Optimal	Optimal	Optimal	Optimal	Optimal	Optimal	Optimal	Optimal	
	Midi 4 24V	24V	0.6W	102	170	153	1.5		Acceptable	Optimal	Optimal	Optimal	Optimal	Optimal	Optimal	Optimal	Optimal	Optimal	Optimal	Optimal	Optimal	Optimal
		24V	0.84W	136	170	204	1.5		Acceptable	Optimal	Optimal	Optimal	Optimal	Optimal	Optimal	Optimal	Optimal	Optimal	Optimal	Optimal	Optimal	Optimal
		24V	2W	300	150	300	1		Acceptable	Optimal	Optimal	Optimal	Optimal	Optimal	Optimal	Optimal	Optimal	Optimal	Optimal	Optimal	Optimal	





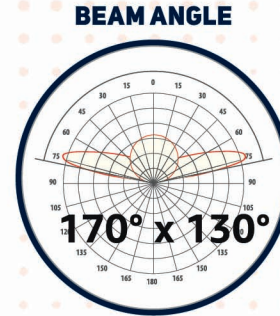
# Recommended Product Selector for Sign Cabinets & Light Boxes

	Product Name	Voltage	Power	Lm/Module	Efficiency	Lm/Foot	Module Per Foot	Size	Can Depth											
									<input type="checkbox"/> Optimal <input type="checkbox"/> Acceptable											
									1"	2"	3"	4"	5"	6"	7"	8"	9"	10+"		
	<b>Midi Edge 12V</b>	12V	2.4W	320	145	650	2	3.3"x0.79"	From 4" Depth 7" Across Both Sides											
	<b>Midi Edge 24V</b>	24V	2W	300	150	600		3.3"x0.79"	From 4" Depth 7" Across Both Sides											
	<b>Midi 4 12V</b>	12V	2W	300	150	300	1	3.3"x0.79"	<input type="checkbox"/>	<input checked="" type="checkbox"/>	<input checked="" type="checkbox"/>	<input checked="" type="checkbox"/>	<input checked="" type="checkbox"/>	<input checked="" type="checkbox"/>	<input checked="" type="checkbox"/>	<input checked="" type="checkbox"/>	<input checked="" type="checkbox"/>	<input checked="" type="checkbox"/>	<input checked="" type="checkbox"/>	<input checked="" type="checkbox"/>
		12V	1.6W	300	150	300	1		<input type="checkbox"/>	<input checked="" type="checkbox"/>	<input checked="" type="checkbox"/>	<input checked="" type="checkbox"/>	<input checked="" type="checkbox"/>	<input checked="" type="checkbox"/>	<input checked="" type="checkbox"/>	<input checked="" type="checkbox"/>	<input checked="" type="checkbox"/>	<input checked="" type="checkbox"/>	<input checked="" type="checkbox"/>	<input checked="" type="checkbox"/>
		12V	1.2W	192	165	230	1.2		<input type="checkbox"/>	<input checked="" type="checkbox"/>	<input checked="" type="checkbox"/>	<input checked="" type="checkbox"/>	<input checked="" type="checkbox"/>	<input checked="" type="checkbox"/>	<input checked="" type="checkbox"/>	<input checked="" type="checkbox"/>	<input checked="" type="checkbox"/>	<input checked="" type="checkbox"/>	<input checked="" type="checkbox"/>	<input checked="" type="checkbox"/>
	<b>Midi 4 24V</b>	24V	2W	300	150	300	1	3.3"x0.79"	<input type="checkbox"/>	<input checked="" type="checkbox"/>	<input checked="" type="checkbox"/>	<input checked="" type="checkbox"/>	<input checked="" type="checkbox"/>	<input checked="" type="checkbox"/>	<input checked="" type="checkbox"/>	<input checked="" type="checkbox"/>	<input checked="" type="checkbox"/>	<input checked="" type="checkbox"/>	<input checked="" type="checkbox"/>	<input checked="" type="checkbox"/>
		24V	0.84W	136	170	204	1.5		<input type="checkbox"/>	<input checked="" type="checkbox"/>	<input checked="" type="checkbox"/>	<input checked="" type="checkbox"/>	<input checked="" type="checkbox"/>	<input checked="" type="checkbox"/>	<input checked="" type="checkbox"/>	<input checked="" type="checkbox"/>	<input checked="" type="checkbox"/>	<input checked="" type="checkbox"/>	<input checked="" type="checkbox"/>	<input checked="" type="checkbox"/>
		24V	0.6W	102	170	153	1.5		<input type="checkbox"/>	<input checked="" type="checkbox"/>	<input checked="" type="checkbox"/>	<input checked="" type="checkbox"/>	<input checked="" type="checkbox"/>	<input checked="" type="checkbox"/>	<input checked="" type="checkbox"/>	<input checked="" type="checkbox"/>	<input checked="" type="checkbox"/>	<input checked="" type="checkbox"/>	<input checked="" type="checkbox"/>	<input checked="" type="checkbox"/>

Lumen output may vary ±10% CCT output may vary ±10%



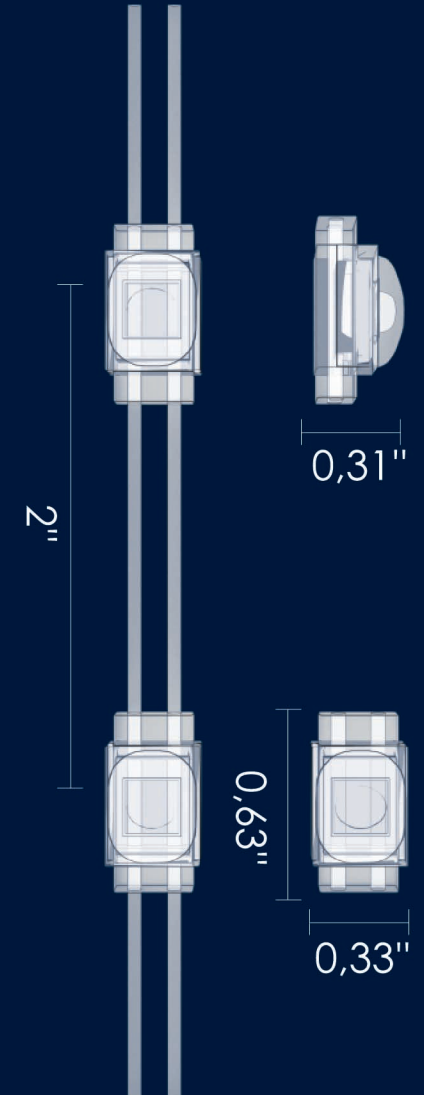
# Game Player Tiny



Operating Temperature	-40°F ~ +140°F	Lead Wire	Tin Coated Copper Wire
Storage Temperature	-40°F ~ +140°F	Lifetime TM21	>60.000 Hours
Body Material	Case: ABS   Optics: Optical PC	Adhesive Tape	3M Vhb
Finishing	Over Moulding	Strip Size	100 Modules/Strip

**CONSTANT VOLTAGE | 12V DC | 5 SDCM | 130° x 170° BEAM ANGLE**

	Tiny White Options				Tiny Color Options			
<b>Power</b>	<b>0.36W</b>				<b>0.36W</b>			
<b>Current</b>	30 mA				30 mA			
<b>Modules per Foot</b>	6				6			
<b>60W Power Supply Load</b>	166 Total / 25 Single				166 Total / 25 Single			
	Color	Order Code	Lumens	Lm/W		Order Code	Lumens	Lm/W
	<b>10.000K</b>	TMTTP10	41	115	<b>RED</b>	TMTTPR	11	31
	<b>6.500K</b>	TMTTP65	41	115	<b>GREEN</b>	TMTTPG	6	17
	<b>4.000K</b>	TMTTP4	38	105	<b>BLUE</b>	TMTTPB	15	42
	<b>3.000K</b>	TMTTP3	38	105				



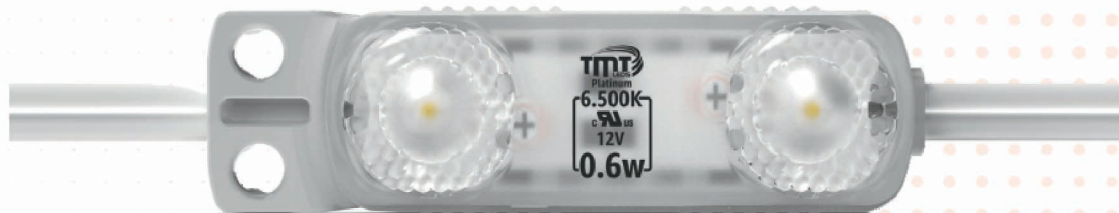
Packaging Details	Chain	Bag	Box
	100 pcs	100 pcs	6.000 pcs

Can Depth (cm) ■ Optimal ■ Acceptable

Density Guideline	1"	2"	3"	4"	5"	6"	7"	8"	9"	10+"
<b>TINY</b>	<span style="color: green;">■</span>	<span style="color: green;">■</span>	<span style="color: green;">■</span>	<span style="color: lightgreen;">■</span>						

Luminous flux tolerance ±10% - CCT tolerance ±8%





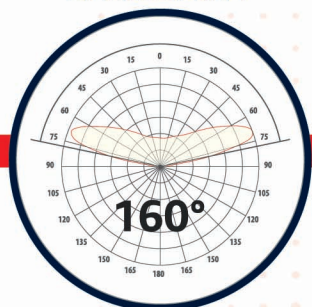
Operating Temperature **-40°F ~ +140°F**  
 Storage Temperature **-40°F ~ +140°F**  
 Body Material **Case: ABS | Optics: Optical PC**  
 Finishing **Ultrasonic Welding**

Lead Wire **Tin Coated Copper Wire**  
 Lifetime TM21 **>60.000 Hours**  
 Adhesive Tape **3M Foam**  
 Strip Size **50 Modules/Strip**

**12V DC | 160° BEAM ANGLE**

	Mini 2 12V 0.6W	Mini 2 HO 12V 0.8W
<b>Power</b>	<b>0.60W</b>	<b>0.80W</b>
<b>Current</b>	50 mA	66 mA
<b>Modules Per Foot</b>	1.7	1.7
<b>60W PS Load</b>	91 Total / 50 Single	68 Total / 50 Single
<b>Color</b>	<b>Order Code</b> <b>Lumens</b> <b>Lm/W</b>	<b>Order Code</b> <b>Lumens</b> <b>Lm/W</b>
<b>6.500K</b>	TMN2GC65   103   171	TMN2GCHO65   132   165

**BEAM ANGLE**



**Packaging Details**

Chain	Bag	Box
50 pcs	100 pcs	1,000 pcs

Density Guideline	1"	2"	3"	4"	5"	6"	7"	8"	9"	10+"
-------------------	----	----	----	----	----	----	----	----	----	------

**MINI 2**

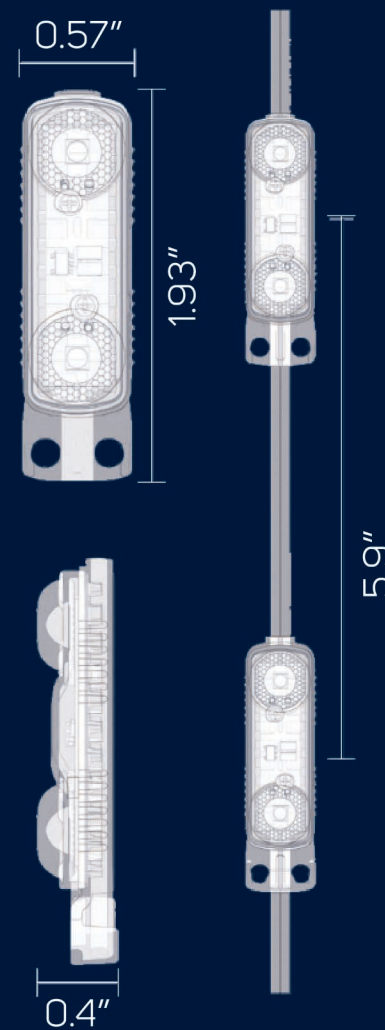
**MINI 2 HO**



Luminous flux tolerance ±10% - CCT tolerance ±8%  
 Color and power options are available up on request.

# Game Changer Mini 2

**Application**  
Small and Medium  
Channel Letter





MADE IN EUROPE

10 YEAR PRODUCT WARRANTY

5 YEAR LABOR WARRANTY



# Game Changer Midi 4

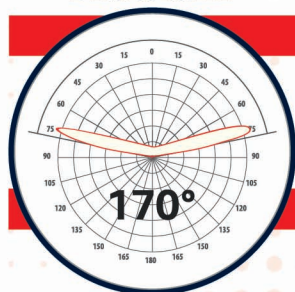
**Applications**  
Channel Letters  
Lightboxes Cabinets  
Cove Lighting

Operating Temperature	-40°F - +140°F	Lead Wire	Tin Coated Copper Wire
Storage Temperature	-40°F - +140°F	Lifetime TM21	>60.000 Hours
Body Material	Case: ABS   Optics: Optical PC	Adhesive Tape	3M Foam
Finishing	Ultrasonic Welding	Strip Size	50 Modules/Strip

12V / 24 DC    3 SDCM    170° BEAM ANGLE

	Midi 4 12V	Midi 4 12V	Midi 4 12V	Midi 4 24V	Midi 4 24V	Midi 4 24V
<b>Power</b>	<b>1.2W</b>	<b>1.6W</b>	<b>2W</b>	<b>0.6W</b>	<b>0.84W</b>	<b>2W</b>
<b>Modules per foot</b>	1.2	1.2	1	1.5	1.5	1
<b>Kelvin</b>	6500K <small>Also in 10000K</small>	6500K	6500K <small>Also in 3000K, 5000K, 10000K</small>	6500K	6500K	6500K <small>Also in 3000K</small>
<b>Voltage</b>	12V	12V	12V	24V	24V	24V
<b>Lumen</b>	192	256	300	102	136	300
<b>Lumen/W</b>	165	160	150	170	170	150
<b>60W Power Supply Loading</b>	45	34	27	90	60	27
<b>Order Code</b>	TMTGC46512	TMTGC46516	TMTGC4652	TMTGC24656	TMTGC24658	TMTGC24302

### BEAM ANGLE



Can Depth

Optimal

Acceptable

Density Guideline

1" 2" 3" 4" 5" 6" 7" 8" 9" 10+"

**MIDI 4 24V**



**MIDI 4 12V**



Packaging Details

Chain

Bag

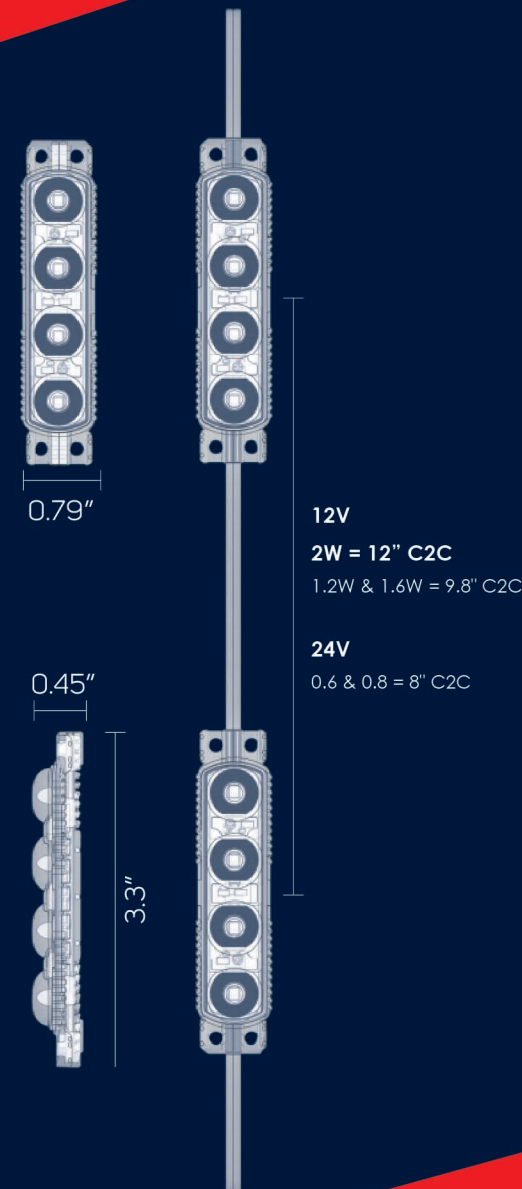
Box

50 pcs

100 pcs

1000 pcs

Luminous flux tolerance ±10% - CCT tolerance ±8%  
Color and power options are available up on request.





IP 67  
PROTECTION

MADE IN  
EUROPE

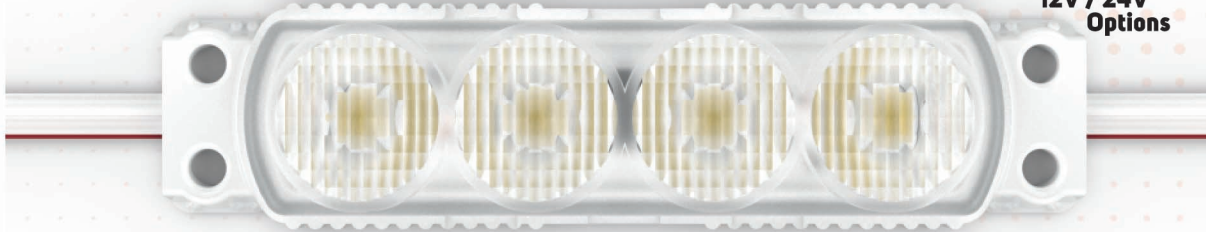
7 YEAR  
PRODUCT WARRANTY

5 YEAR  
LABOR WARRANTY

UL  
E491014

CE

12V / 24V  
Options

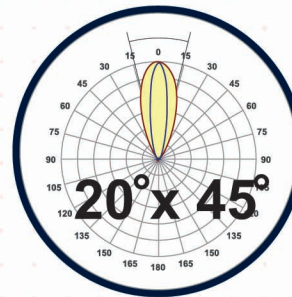


Operating Temperature	-40°F ~ +140°F	Lead Wire	Tin Coated Copper Wire
Storage Temperature	-40°F ~ +140°F	Lifetime TM21	>60.000 Hours
Body Material	Case: ABS   Optics: Optical PC	Adhesive Tape	3M Foam
Finishing	Ultrasonic Welding	Strip Size	25 Modules/Strip

12V / 24 DC | 3 SDCM | 18° x 40° BEAM ANGLE

	Midi Edge 12V	Midi Edge 24V
Power	2.4W	2W
Modules per foot	2	2
Kelvin	6500K	6500K
Voltage	12V	24V
Lumen	340	300
Lumen/W	192	150
60W Power Supply Loading	23	27
Order Code	TMDGCE65	TMTGC2465E

BEAM ANGLE



Packaging Details

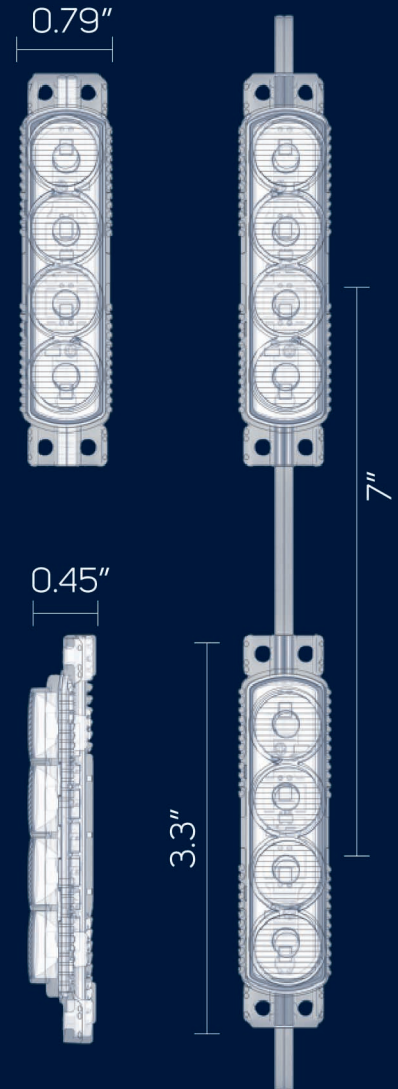
Chain	Bag	Box
25 pcs	4x25 pcs	1,000 pcs

4" Depth 7' Across

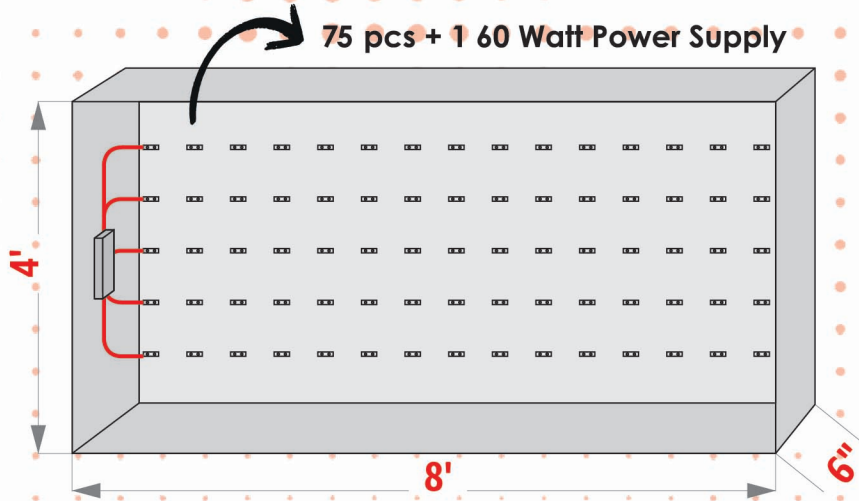
Luminous flux tolerance ±10% - CCT tolerance ±8%  
Color and power options are available up on request.

# Game Changer Midi Edge

Applications  
Cabinet LEDs  
Edge Lighting  
Wall Washers



# 4' x 8' x 6" Single Side Cabinet Solution

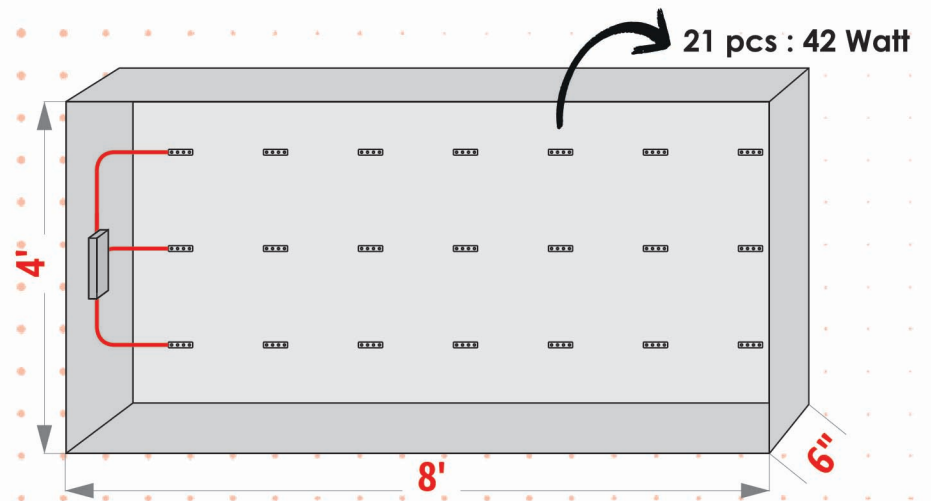


## Standard Market Solutions

# of Modules : 76 pcs x 0.8 watt

Total Power : 60 watt

Total Lumen: 6300 Lumen



## TMT LEDs Solution

TMT Game Changer Midi 4 12V 2W

# of Modules : 21 pcs x 2 = 42 Watt

Total Power : 42 Watt

Total Lumen: 6300 Lumen

Up to **30%**  
Lower System Cost

**Better  
Light Quality**  
+  
**Less Material**  
+  
**Less Labor**

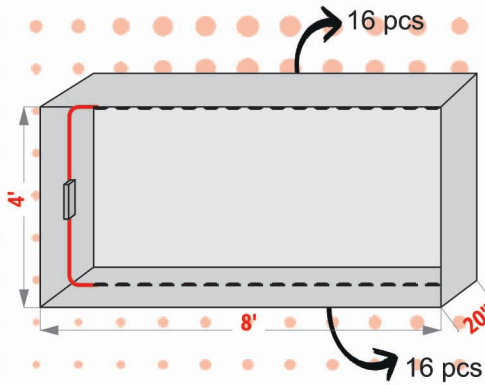
=

**HIGHER  
PROFITS!**

Save Time to be more Productive



## 4' x 8' x 20" Double side Cabinet Lighting solution with **Midi Edge 2W 24V**



**NO** Bars  
Extra Labor  
**Time Saving**  
installation

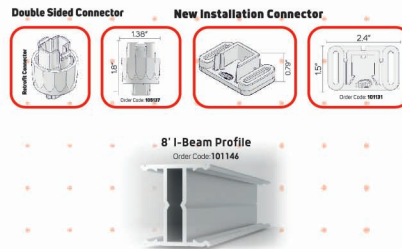
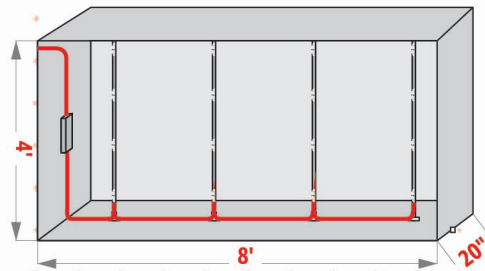


- MIDI EDGE 2Watt 24V
- 16 x 2 = 32pcs
- Total lumen: 9600 lumen
- 64 Watt
- 1 x 100W 24V Class 2 Power Supply

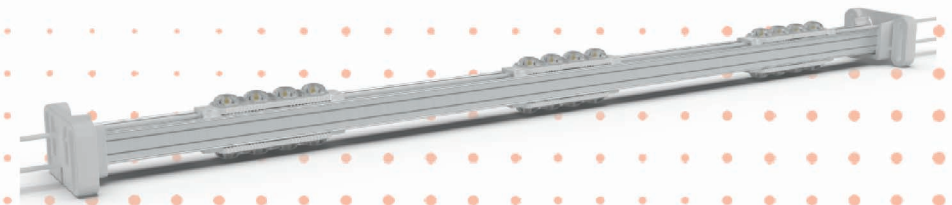
**Maximize Brightness?**

You can double up the quantity of modules by installing the modules end to end using our innovative Cable Hiding Technology and add a second 60 W Class 2 Power Supply.

## 4' x 8' x 20" Double Side Cabinet Lighting solution with **MIDI 4 24V 2W**



- Midi 4 2Watt 24V
- # Mods per Bar 8 pcs
- Total # of mod : 32 pcs
- Total Lumen : 9600lumen
- 55 Watt
- 1 x 100W 24V Class 2 Power Supply

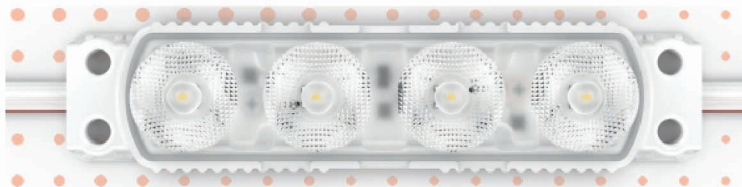


**Maximize Brightness?**

Simply Double Modules per Midi Stick and add an additional 100W 24V Power Supply

# Single Side Midi Stick Modules Reference Guide

## MIDI 4 12V



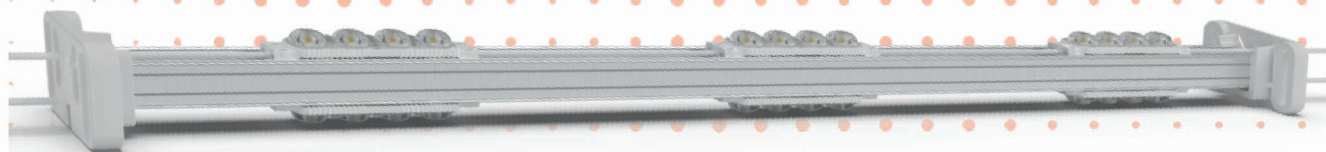
## MIDI 4 24V



### SINGLE SIDED with MIDI 4 12V

### SINGLE SIDED with MIDI 4 24V

Length Inch	Input Voltage	# of Modules	Total Lumen	Midi Stick Watt	Input Voltage	# of Modules	Total Lumen	Midi Stick Watt
24	12V	3	600	4	24V	2	600	4
36	12V	5	900	6	24V	3	900	6
48	12V	6	1200	8	24V	4	1200	8
60	12V	8	1500	10	24V	5	1500	10
72	12V	9	1800	12	24V	6	1800	12
84	12V	11	2100	14	24V	7	2100	14
96	12V	12	2400	16	24V	8	2400	16
108	12V	13	2700	18	24V	9	2700	18
120	12V	15	3000	20	24V	10	3000	20





# Double Side Midi Stick Modules Reference Guide

## MIDI 4 24V



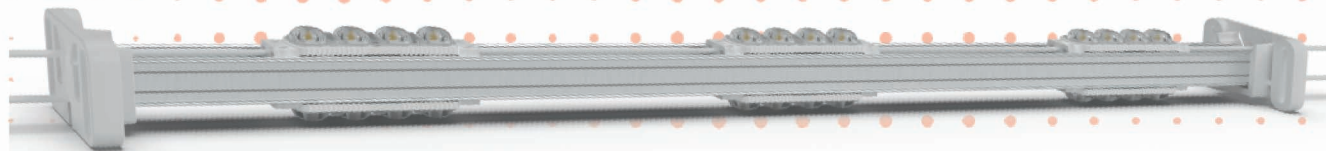
## MIDI 4 12V



### DOUBLE SIDED with MIDI 4 24V

### DOUBLE SIDED with MIDI 4 12V

Length Inch	Input Voltage	# of Modules	Total Lumen	Midi Stick Watt	Input Voltage	# of Modules	Total Lumen	Midi Stick Watt
24	24V	4	1200	8	12V	4	1200	8
36	24V	6	1800	12	12V	6	1800	12
48	24V	8	2400	16	12V	8	2400	16
60	24V	10	3000	20	12V	10	3000	20
72	24V	12	3600	24	12V	12	3600	24
84	24V	14	4200	28	12V	14	4200	28
96	24V	16	4800	32	12V	16	4800	32
108	24V	18	5400	36	12V	18	5400	36
120	24V	20	6000	40	12V	20	6000	40



# Class 2 Power Supplies 12V IP68

WARRANTY	5 YEARS		7 YEARS	
	105675 60W (5A)	105673 100W (5A)	105676 150W (4.16A x 3 group)	105677 240W (5A x 4 group)
<b>INPUT</b>				
VOLTAGE RANGE	AC 90 V ~ 277 V	AC 90 V ~ 305 V	AC 90 V ~ 305 V	AC 90 V ~ 305 V
INPUT POWER	60 W	70W	160W	250W
FREQUENCY RANGE	50~60Hz	50~60Hz	50~60Hz	50~60Hz
EFFICIENCY	> 86%	> 86%	> 93%	> 95%
AC CURRENT	0.8A Max	0.8A Max	1.6A Max	1.6A Max
INRUSH CURRENT	≤ 80 A	≤ 80 A	≤ 70 A	≤ 70 A
POWER FACTOR	0.6 (min)	0.95 (min)	0.95 (min)	0.95 (min)
THD	< 20%	< 20%	< 20%	< 20%
<b>OUTPUT</b>				
DC VOLTAGE	12 V	12 V	12 V	12 V
RATED CURRENT	5A	5A	4.16A*3 group	5A*4 group
LINE & LOAD REGULATION	± 5%	± 5%	± 5%	± 5%
RIPPLE & NOISE (max)	150mV / 240mV	150mV / 240mV	150mV / 240mV	150mV / 240mV
SETUP, RISING TIME	Cold Start < 3000ms	Cold Start < 3000ms	Cold Start < 3000ms	Cold Start < 3000ms
<b>PROTECTION</b>				
SHORT CIRCUIT	Yes	Yes	Yes	Yes
OVER CURRENT	Yes	Yes	Yes	Yes
OVER TEMPERATURE	Yes	Yes	Yes	Yes
<b>ISOLATION</b>				
WITHSTAND VOLTAGE	P-S 3.75 KV 10 mA	P-S 3.75 KV 10 mA	P-S 3.75 KV 10 mA	P-S 3.75 KV 10 mA
ISOLATION RESISTANCE	500V 100MΩ	500V 100MΩ	500V 100MΩ	500V 100MΩ
<b>ENVIRONMENT</b>				
WORKING TEMP & HUMIDITY	-20~60°C, 20~95% RH	-20~60°C, 20~95% RH	-20~60°C, 20~95% RH	-20~60°C, 20~95% RH
STORAGE TEMP & HUMIDITY	-25~80°C, 5~95% RH	-25~80°C, 5~95% RH	-25~80°C, 5~95% RH	-25~80°C, 5~95% RH
<b>OTHERS</b>				
EMC	FCC part15 EN55015	FCC part15 EN55015	FCC part15 EN55015	FCC part15 EN55015
SIZE	4.65" x 2.08" x 1.46"	6.89" x 1.73" x 1.34"	8.27" x 2.65" x 1.34"	9.45" x 2.87" x 1.63"
WEIGHT	0.50KG	0.50KG	1KG	1.4 KG

105675



105673



105676



105677

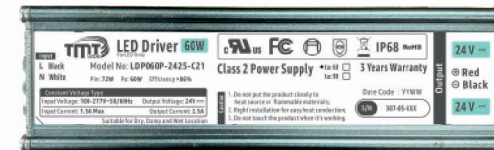




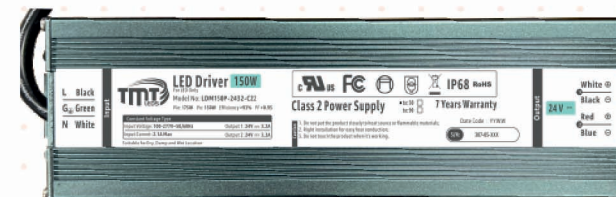
# Class 2 Power Supplies 24 V IP68

WARRANTY	7 YEARS	
	105674 60W (5A)	105678 150W (3.2A x 2 group)
<b>INPUT</b>		
VOLTAGE RANGE	AC 90 V ~ 305 V	AC 100 V ~ 277 V
INPUT POWER	70W	160W
FREQUENCY RANGE	50~60Hz	50~60Hz
EFFICIENCY	> 86%	>93%
AC CURRENT	0.8A Max	1.6A Max
INRUSH CURRENT	≤ 80 A	≤ 70 A
POWER FACTOR	0.95 (min)	0.95 (min)
THD	< 20%	< 20%
<b>OUTPUT</b>		
DC VOLTAGE	24 V	24V
RATED CURRENT	2.5A	3.2A * 2 group
LINE & LOAD REGULATION	± 5%	± 5%
RIPPLE & NOISE (max)	150mV / 240mV	150mV / 240mV
SETUP, RISING TIME	Cold Start < 3000ms	Cold Start < 3000ms
<b>PROTECTION</b>		
SHORT CIRCUIT	Yes	Yes
OVER CURRENT	Yes	Yes
OVER TEMPERATURE	Yes	Yes
<b>ISOLATION</b>		
WITHSTAND VOLTAGE	P-S 3.75 KV 10 mA	P-S 3.75 KV 10 mA
ISOLATION RESISTANCE	500V 100MΩ	500V 100MΩ
<b>ENVIRONMENT</b>		
WORKING TEMP & HUMIDITY	-20~60°C, 20~95% RH	-20~60°C, 20~95% RH
STORAGE TEMP & HUMIDITY	-25~80°C, 5~95% RH	-25~80°C, 5~95% RH
<b>OTHERS</b>		
EMC	FCC part15 EN55015	FCC part15 EN55015
SIZE	6.89" x 1.73" x 1.34"	8.27" x 2.65" x 1.34"
WEIGHT	0.50KG	1 KG

105674



105678





Exclusive Distributor



BROOKLYN  
101 Emerson Place  
Brooklyn, NY 11205

NEW JERSEY  
55 La France Ave.  
Bloomfield, NJ 07003

PHILADELPHIA  
7352 State Rd.  
Philadelphia, PA 19136

FARMINGDALE  
43 Engineers Lane  
Farmingdale, NY 11735

