

LED MODULE BUYERS GUIDE



S&F
SUPPLIES

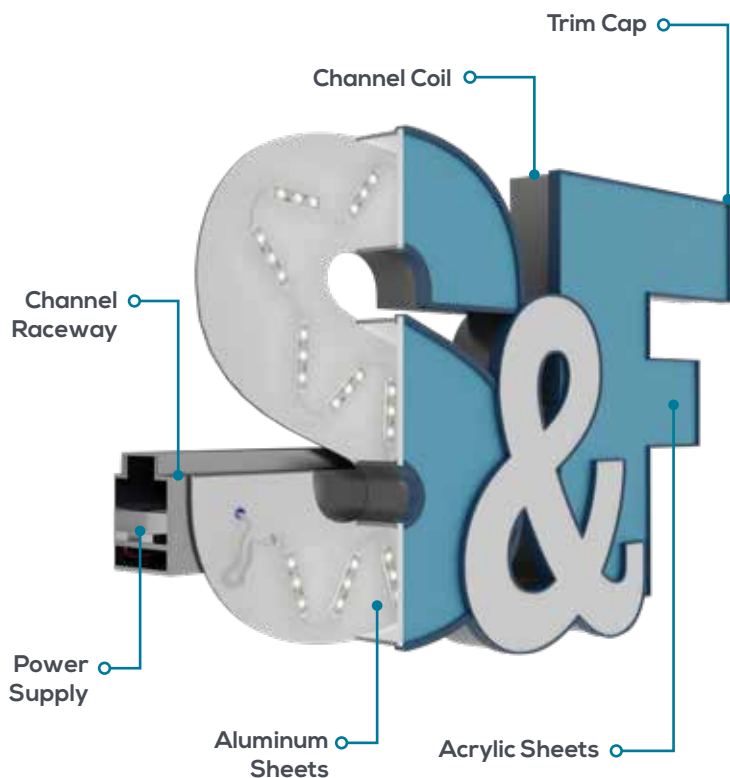
Brilliant signage solutions begin here!

LED Modules are a critical part of the signage industry, especially when it comes to channel letters. But getting the best-quality LEDs is easy -- just come to us!

Our top notch quality will help ensure the best possible outcome for your job is even more important. This catalog details our wide selection, so it's easier than ever to meet your every need.

Please don't hesitate to contact us with any questions you may have. We are here to help!

SHOP S&F FOR ALL YOUR CHANNEL LETTER NEEDS



DISCOVER.



DESIGN.



CREATE.

Four locations, Faster Deliveries and More to Explore.



43 Engineers Lane
Farmingdale, New York



110 Emerson Place
Brooklyn, New York



55 La France Avenue
Bloomfield, New Jersey



7352 State Road
Philadelphia PA



(718) 399 3333 |



sales@sfsupplies.com



Our Brands



SloanLED is the leader in light technology with over 60 years of lighting experience, unparalleled worldwide distribution, and outstanding customer support. As a guiding light in the industry, their products will brighten your customers brand and your bottom line.



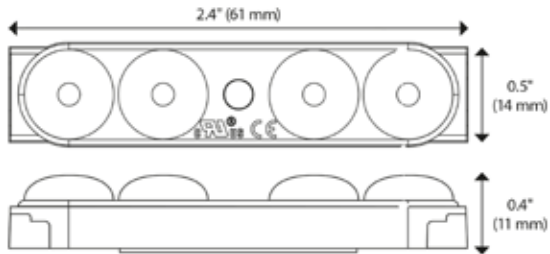
TMT is a global company dedicated to developing, designing and manufacturing LEDs for the Sign and Lighting industry since 2008. TMT's goal is to help their customers save money, labor and time with less power consumption.



GreenleafLED offers a wide range of lighting fixtures and modules. They provide a quality solution at unbeatable prices.

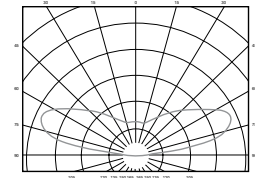
Prism-24 High Output

Premium 24V LED channel letter lighting solution. SloanLED Prism24 HO (High Output) delivers bright, uniform light in deep/wide sign boxes and channel letters, and features powerful, prism lens technology in a 24 VDC package for superior power supply loading, lower cost, and faster installations.



ITEM	Color	Watts PU	Lumen PU	Lm/W
SL-CLPRH-WH6500	6500k	1.2w	180	150

Modules per foot: **1.5**
 Optimal can depth: **5-12"**
 Operating Temp: **-40°C - +70°C**
 Power voltage: **24v**



Power Supply Chart [Max Modules Per Watts]	20W	60W	100W
	15	45	75



60,000 HR



IP66 & 68



Sold as
Pack of 38



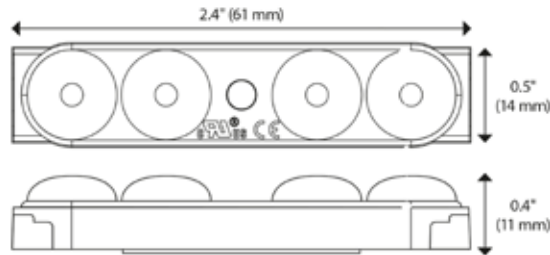
10 Years
warranty



Prism-24 Standard Output

The SloanLED Prism24 family is a complete, premium, 24 VDC LED lighting solution for small, low-profile, standard, and large channel letters.

Featuring dual-die technology for over double the square footage of illumination, and higher efficacy over the existing 12 VDC version, this powerful line of channel letter lighting products is designed to give sign makers the widest, most even spread of illumination, broadening spacing between rows, and properly dispersing the light to avoid hot spots in any application.



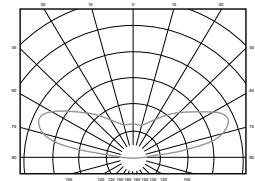
ITEM	Color	Watts PU	Lumen PU	Lm/W
SL-CLPR-WH65-24	6500k	.86w	138	160

Modules per foot: **1.2**

Optimal can depth: **3-8"**

Operating temp: **-40°C - +70°C**

Power voltage: **24v**



Power Supply Chart [Max Modules Per Watts]	20W	60W	100W
	20	62	104



60,000 HR



IP66 & 68



Sold as
Pack of 52



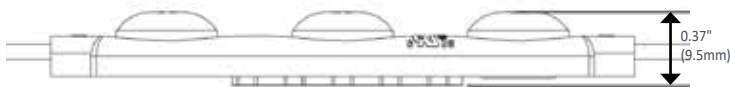
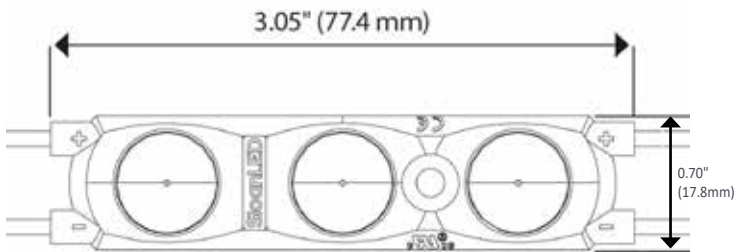
10 Years
warranty



Prism 12 Whites

Premium 12V LED channel letter lighting solution!

SloanLED Prism is the complete solution for channel letter and sign box illumination. The combination of optical physics and decades of sign industry knowledge, these lens-based modules are clearly on the spectrum of brilliance. Ideal for illuminating small channel letters 2-4" deep.



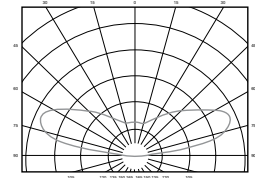
ITEM	Color	Watts PU	Lumen PU	Lm/W
SL-CLPR2-WH6500	6500k	1.12w	124	111
SL-CLPR3-WH6500	6500k	1.12w	124	111
SL-CLPR-WH3000	3000k	1.12w	115	130
SL-CLPR-WH4000	4000k	1.12w	120	107
SL-CLPR-WH5000	5000k	1.12w	124	111
SL-CLPR-WH5700	5700k	1.12w	124	111
SL-CLPR-WH6500	6500k	1.12w	124	111
SL-CLPR-WH7100	7100k	1.12w	124	111

Modules per foot: **1.5**

Optimal can depth: **3-8"**

Operating temp: **-40°C - +70°C**

Power voltage: **12v**



Power Supply Chart [Max Modules Per Watts]	20W	60W	100W
	16	48	80



60,000 HR



IP66 & 68



Sold as
Pack of 48



10 Years
warranty



Prism 12 Colors

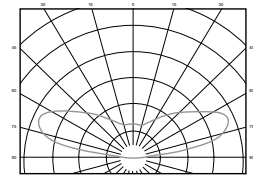
SloanLED has been a key manufacturer and supplier to the sign industry for more than 20 years. Their high-efficiency, long lasting solutions don't just light your signs -- they represent significant energy cost reductions, less maintenance, easy installation, and exceptional performance with consistent brightness and uniformity.

- Brightest lighting option in its class
- Ideal lens shape for illuminating channel letters
- Requires fewer modules which enables faster installation and lower cost per sign
- Versatile mounting options



ITEM	Watts PU	Lumen PU	Lm/W
SL-CLPR-BLUE	.72w	18	25
SL-CLPR-GREEN	.72w	60	83
SL-CLPR-ORANGE	.72w	24	33.5
SL-CLPR-RED	.72w	24	33.5
SL-CLPR-YELLOW	.72w	11	15

Modules per foot: **1.5**
 Optimal can depth: **3-8"**
 Operating temp: **-40°C - +70°C**
 Power voltage: **12v**



Power Supply Chart [Max Modules Per Watts]	20W	60W	100W
	25	75	125



60,000 HR



IP66 & 68



Sold as
Pack of 48



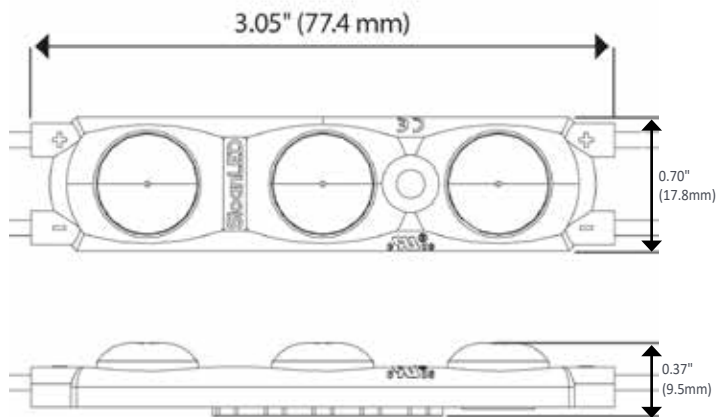
10 Years
warranty



Prism Mini 12 Whites

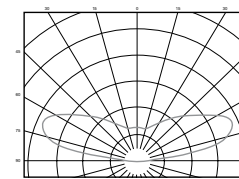
Advanced optics for even illumination in small channel letters!

SloanLED Prism Mini takes the big performance of SloanLED Prism modules and packs it into a tiny but mighty package. Ideal for illuminating small channel letters 2-4" (50-100 mm) deep, SloanLED Prism Mini features a micro prism lens that produces a wide, even light spread across a broader array of applications requiring a smaller form factor, making it the brightest and most consistent lighting option in its class. The result is nothing short of brilliance.



ITEM	Color	Watts PU	Lumen PU	Lm/W
SL-CLPRM2-WH40	4000k	.38w	45	105
SL-CLPRM2-WH50	5000k	.38w	50	116
SL-CLPRM2-WH65	6500k	.38w	50	116

Modules per foot: **2**
 Optimal can depth: **2-4"**
 Operating temp: **-40°C - +70°C**
 Power voltage: **12v**



Power Supply Chart [Max Modules Per Watts]	20W	60W	100W
	47	142	236



60,000 HR



IP66 & 68



Sold as
Pack of 142



10 Years
warranty

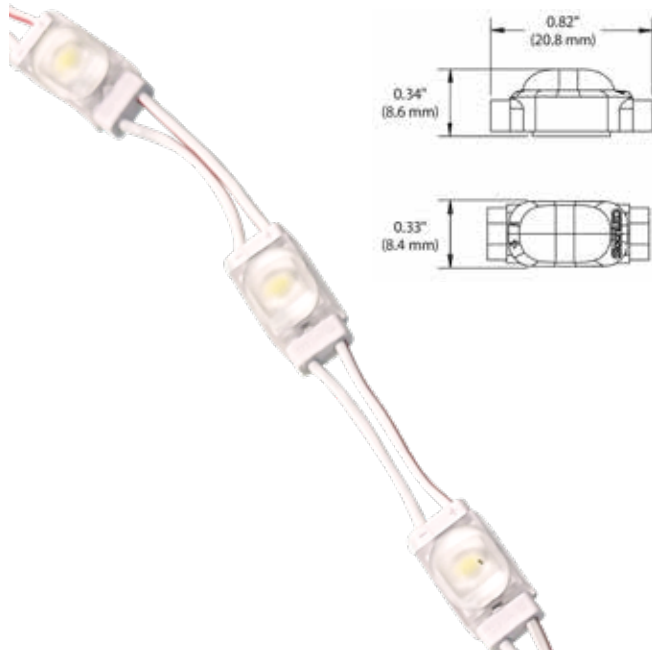
Prism 12 Nano + Whites

Big performance in small channel letters!

Designed for applications as shallow as 1" (25 mm)

Quickly and easily conforms to any shape for easy flat bends and connections without the need for soldering or PCB cutting

Easy to mount and install on any channel letter shape.



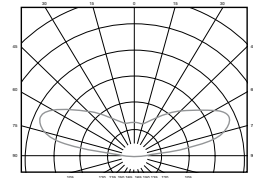
ITEM	Color	Watts PU	Lumen PU	Lm/W
SL-CLPR-WHN3000	3000k	.22w	25	83
SL-CLPR-WHN4000	4000k	.22w	33	106
SL-CLPR-WHN5000	5000k	.22w	33	106
SL-CLPR-WHN6500	6500k	.22w	33	106

Modules per foot: **1.5**

Optimal can depth: **1-3"**

Operating temp: **-40°C - +70°C**

Power voltage: **12v**



Power Supply Chart [Max Modules Per Watts]	20W	60W	100W
	83	250	416



60,000 HR



IP66



Sold as
Pack of 150

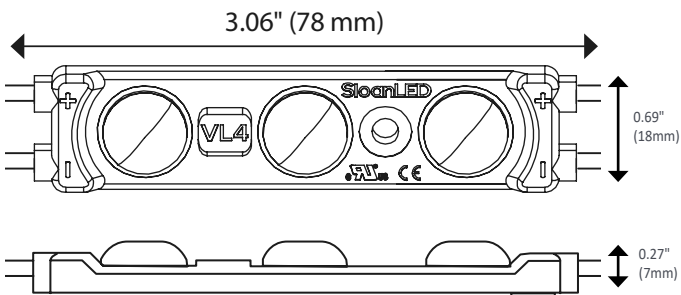


10 Years
warranty



VL4 High Output

VL4 is the next generation, everyday LED lighting solution for illuminating a wide range of sign and display applications. VL4 shatters expectations with prism lens technology for an ultra-wide radiation pattern, an impressive light output, continuous-release liner for faster installation, and a lifetime rating of over 54,000 hours* –delivering both value and performance in a solution that stands the test of time.



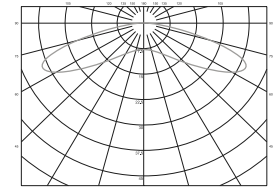
ITEM	Color	Watts PU	Lumen PU	Lm/W
SL-CVL4HO-WH65	1.20w	130	108	98

Modules per foot: **1.5**

Optimal can depth: **5-8"**

Operating temp: **-40°C - +70°C**

Power voltage: **12v**



Power Supply Chart [Max Modules Per Watts]	20W	60W	100W
	15	45	75



54,000 HR



IP66



Sold as
Pack of 45

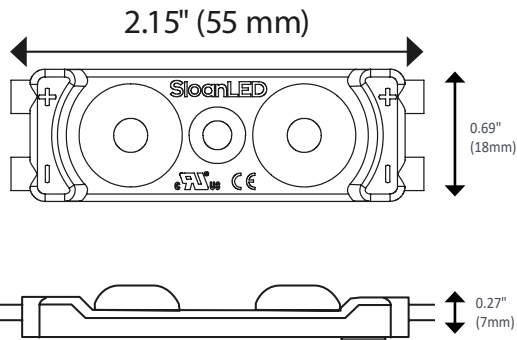


10 Years
warranty



VL4 Standard Output

VL4 is the next generation, everyday LED lighting solution for illuminating a wide range of sign and display applications. VL4 shatters expectations with prism lens technology for an ultra-wide radiation pattern, an impressive light output, continuous-release liner for faster installation, and a lifetime rating of over 54,000 hours* –delivering both value and performance in a solution that stands the test of time.



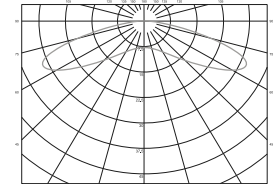
ITEM	Watts Per unit	Lumen Per unit	Lm/W
SL-CVL4S-WH6500	.96w	107	111

Modules per foot: **1.4**

Optimal can depth: **3-5"**

Operating temp: **-40°C - +70°C**

Power voltage: **12v**



Power Supply Chart [Max Modules Per Watts]	20W	60W	100W
	18	56	93



54,000 HR



IP66



Sold as
Pack of 56

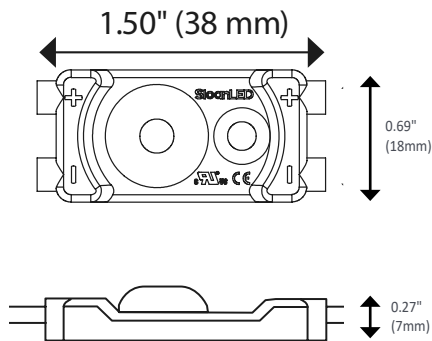


10 Years
warranty



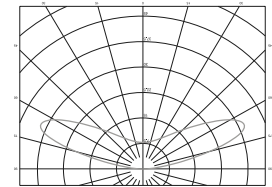
VL4 Mini

VL4 is the next generation, everyday LED lighting solution for illuminating a wide range of sign and display applications. VL4 shatters expectations with prism lens technology for an ultra-wide radiation pattern, an impressive light output, continuous-release liner for faster installation, and a lifetime rating of over 54,000 hours* –delivering both value and performance in a solution that stands the test of time.



ITEM	Watts Per unit	Lumen Per unit	Lm/W
SL-CVL4M-WH6500	.36w	40	111

Modules per foot: **2.5**
 Optimal can depth: **2-3"**
 Operating temp: **-40°C - +70°C**
 Power voltage: **12v**



Power Supply Chart [Max Modules Per Watts]	20W	60W	100W
	50	150	250



54,000 HR



IP66



Sold as
Pack of 150



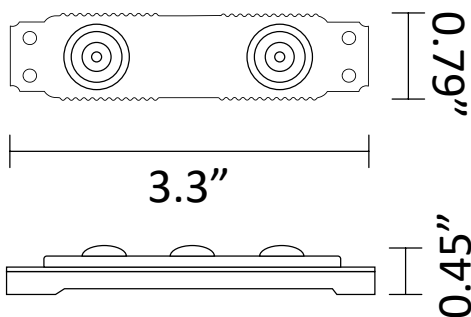
10 Years
warranty





Midi Game Changer

- > Best for Channel letters and box signs
10cm - 12cm (4" - 5")
- > Cable Hiding Technology (Patent Pending)
- > Efficient Circuit Design (Patent Pending)
- > Clean White Technology
- > Constant Current
- > Snap-in compatible to TMT LEDs
- > Aluminium Profiles (Patent Pending)
- > 3 Steps to Mac Adam Ellipse
- > Tier 1 LED Supplier



ITEM	Color	Watts PU	Lumen PU	Lm/W
TMDGC3	3000k	0.84w	135	160
TMDGC5	5000k	0.84w	135	160
TMDGC65	6500k	0.84w	135	160

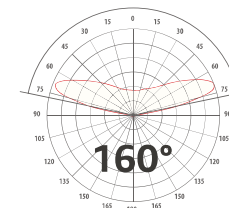


Modules per foot: **1.5**

Optimal can depth: **4"-6"**

Operating Temp: **-30 °C - +60 °C**

Power voltage: **12v**



Power Supply Chart [Max Modules Per Watts]	20W	60W	100W
	23	70	116



50,000 HR



IP67



Sold as
Pack of 50

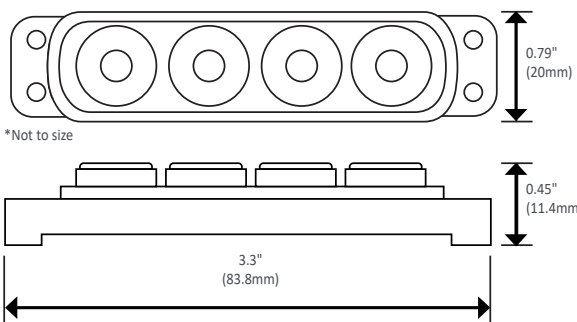


5 Years
warranty



Midi Game Changer Edge-Lit

- > Best for Channel letters and box signs
10cm - 12cm (4" - 5")
- > Cable Hiding Technology (Patent Pending)
- > Efficient Circuit Design (Patent Pending)
- > Clean White Technology
- > Constant Current
- > Snap-in compatible to TMT LEDs
- > Aluminium Profiles (Patent Pending)
- > 3 Steps to Mac Adam Ellipse
- > Tier 1 LED Supplier



ITEM	Color	Watts PU	Lumen PU	Lm/W
TMDGCE65	6500k	2.4w	300	125

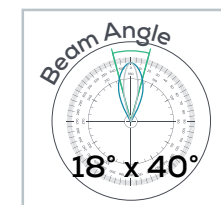


Modules per foot: **1.5**

Optimal can depth: **2-3 meters**

Operating temp: **-30°C - +60°C**

Power voltage: **12v**



Power Supply Chart [Max Modules Per Watts]	20W	60W	100W
	8	25	41



50,000 HR



IP67



Sold as
Pack of 50

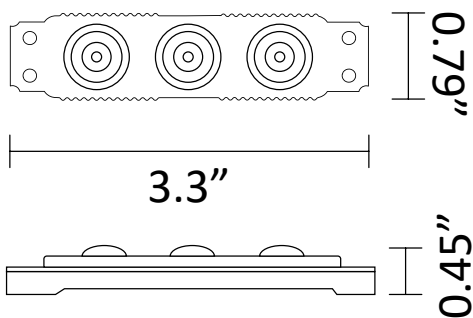


5 Years
warranty



Midi Game Player

- > Best for Channel letters and box signs
10cm - 12cm (4" - 5")
- > Cable Hiding Technology (Patent Pending)
- > Efficient Circuit Design (Patent Pending)
- > Clean White Technology
- > Constant Current
- > Snap-in compatible to TMT LEDs
- > Aluminium Profiles (Patent Pending)
- > 3 Steps to Mac Adam Ellipse
- > Tier 1 LED Supplier



ITEM	Color	Watts PU	Lumen PU	Lm/W
GLSMP30	3000k	1.08w	102	94
GLSMP50	5000k	1.08w	110	102
DPC12108-065A	6500k	1.08w	110	102
DPC12108-070A	7200k	1.08w	110	102

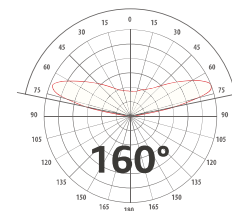


Modules per foot: **1.7**

Optimal can depth: **4"-6"**

Operating temp: **-30°C - +60°C**

Power voltage: **12v**



Power Supply Chart [Max Modules Per Watts]	20W	60W	100W
	16	50	83



50,000 HR



IP67



Sold as
Pack of 50

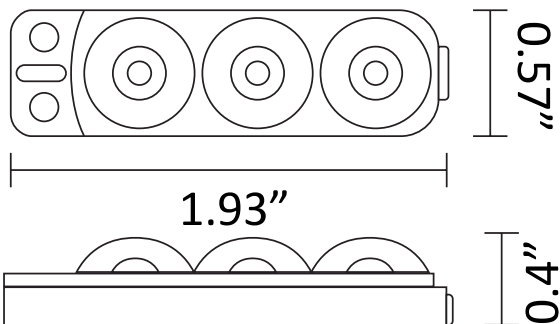


5 Years
warranty



Mini Game Player

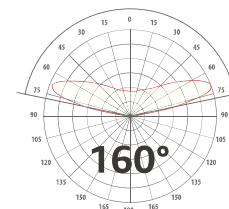
- > Best for Shallow Channel letters
- > Cable Hiding Technology (Patent Pending)
- > Efficient Circuit Design (Patent Pending)
- > Clean White Technology
- > Constant Current
- > Snap-in compatible to TMT LEDs Aluminium Profiles (Patent Pending)
- > 3 Steps to Mac Adam Ellipse
- > Tier 1 LED Supplier



ITEM	Color	Watts PU	Lumen PU	Lm/W
GLSMPP65M	6500k	.36w	49	136



Modules per foot: **1.7**
 Optimal can depth: **2"-5"**
 Operating temp: **-30°C - +60°C**
 Power voltage: **12v**



Power Supply Chart [Max Modules Per Watts]	20W	60W	100W
	25	75	125



60,000 HR



IP67



Sold as
Pack of 50

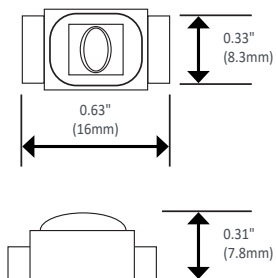


5 Years
warranty



Tiny Module

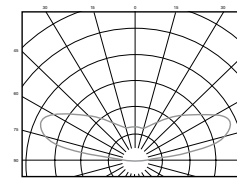
Signage and illuminated advertising. Backlighting of channel letters, best for 25mm to 80mm depth. Uniform and efficient illumination at high LED pitches thanks to oval optics design. Small module size would be flexible in application. Significantly better application efficiency compared to systems without lenses



ITEM	Color	Watts PU	Lumen PU	Lm/W
GLSMP65M	6500k	0.36w	41	115



Modules per foot: **6**
 Optimal can depth: **1"-3"**
 Operating temp: **-30°C - +60°C**
 Power voltage: **12v**



Power Supply Chart [Max Modules Per Watts]	20W	60W	100W
	69	166	276



50,000 HR



IP67



Sold as
Pack of 100



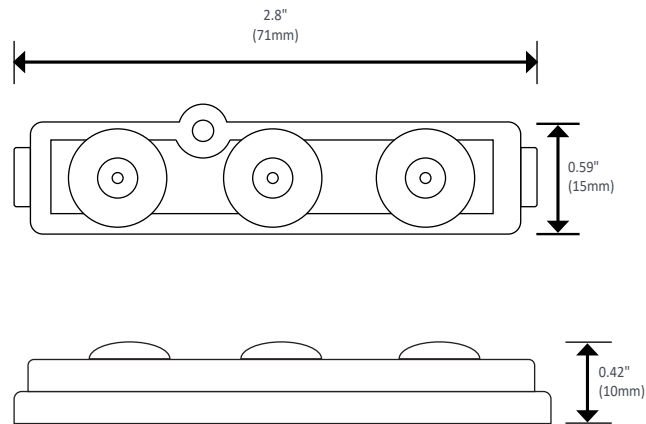
5 Years
warranty



Brilliant White

S&F'S CHOICE

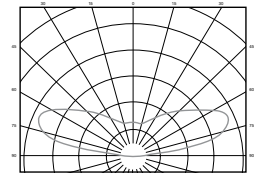
Available in 10,000K, and other colors, Brilliant modules are bright and energy-efficient, allowing you to use fewer modules and power supplies for each job. Designed for cans as shallow as 3", the 160° angle allows for even light dispersal without hot spots



ITEM	Color	Watts PU	Lumen PU	Lm/W
SPS12108-100A	1000k	1.08w	110	102



Modules per foot: **2**
 Optimal can depth: **3-4"**
 Operating temp: **-30°C - +60°C**
 Power voltage: **12v**



Power Supply Chart [Max Modules Per Watts]	20W	60W	100W
	33	80	133



60,000 HR



IP66 & 68



Sold as
Pack of 50

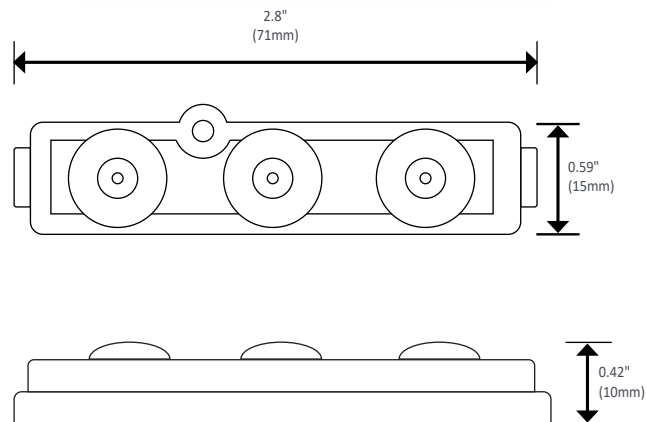
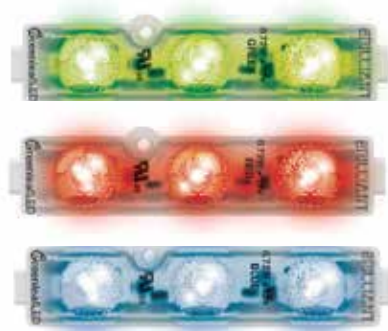


10 Years
warranty

Brilliant Colors

S&F'S CHOICE

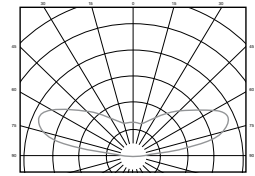
Available in 10,000K, and other colors, Brilliant modules are bright and energy-efficient, allowing you to use fewer modules and power supplies for each job. Designed for cans as shallow as 3", the 160° angle allows for even light dispersal without hot spots



ITEM	Color	Watts PU	Lumen PU	Lm/W
SPS12072-BLUA	Blue	0.72w	14	19
SPS12072-GREA	Green	0.72w	35	49
SPS12072-REDA	Red	0.72w	26	36



Modules per foot: **2**
 Optimal can depth: **3-4"**
 Operating temp: **-30°C - +60°C**
 Power voltage: **12v**



Power Supply Chart [Max Modules Per Watts]	20W	60W	100W
	33	80	133



60,000 HR



IP66 & 68



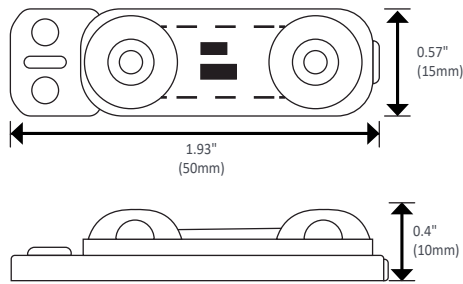
Sold as
Pack of 50



10 Years
warranty

Primo Mini

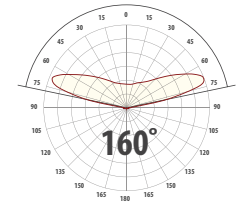
Use GreenLeaf LEDs Mini Series lights in your project to minimize power consumption without compromising brightness or long-lasting durability.



ITEM	Color	Watts PU	Lumen PU	Lm/W
TMIGC3	3000k	0.36w	46	128
TMIGC5	5000k	0.36w	49	136
TMIGC65	6500k	0.36w	49	139



Modules per foot: **2**
 Optimal can depth: **2"-4"**
 Operating temp: **-30°C - +60°C**
 Power voltage: **12v**



Power Supply Chart [Max Modules Per Watts]	20W	60W	100W
	23	70	116



60,000 HR



IP67



Sold as
Pack of 50



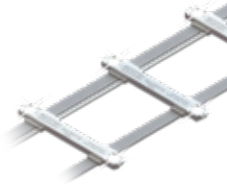
5 Years
warranty



BACK LIGHTING



SLOAN BrightLINE 2,
available in short and long
SL-LEDBRLN2



SLOAN PosterBOX 3,
available in short and long
SL-PB3



SLOAN PrismBEAM
available in many sizes for
both 12v and 24v
SL-PBDS-WH

EDGE LIGHTING



SLOAN POSTERBOX
Mini
SL-PBM-WH



SLOAN PosterBOX
SLIM 2
SL-PBS-WH



GreenleafLED Radiant
Edge-Lit 24" per module
GLEL0965

SIGNBOX RETROFITS No power supply needed.

Single and double sided – many sizes available.



Keystone Sign Hero
EKSHL



Allanson Speed lamp LED
EASPL

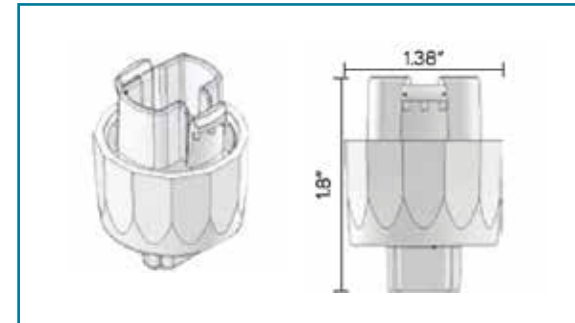
LED MODULE TRACK AND RETRO MOUNTING



Single sided track 10'
GLTS



Double sided track 10'
GLTDS



Retro End Cap
Cap off the end of your track with this universal retro end cap for easy mounting.

GLTEC

Power Supplies

SloanLED provides high-efficiency, long lasting lighting solutions, but there's more to an installation than just the LED modules. Power supplies account for only 20% of the cost of an installation, but this is not the place to compromise on quality, as it could put the overall dependability and safety of the installation at risk.



Brand	Model	SKU	Warranty (Years)	Wattage output	Voltage output	IP rating
Sloan	701507-60W3	SL-701507-60W3		60W	12 VDC	IP68
	#701680	SL-701680		20W	12 VDC	IP67
	701895-24C1	SL-701895-24C1		100W	24 VDC	IP68
	701895-24S2	SL-701895-24S2		100W	24 VDC	IP64

OTHER BRANDS

ALLANSON	CVL244-120	ALED-CV244		96W	24 VDC	
Keystone	#PS6012	DLPS6012	5	60W	12 VDC	
Maxbrite	#AD2A-12VDC	MBLAD2A12VDC	1	24W	12 VDC	
	#LPV-100-12	DLPSLPV100	2	100W	12 VDC	IP67
	#LPV-20-12	DLPSLPV20	2	20W	12 VDC	IP67
Mean Well	#LPV-35-12	DLPSLPV35	2	36W	12 VDC	IP67
	#LPV-60-12	DLPSLPV60	2 Years	60W	12 VDC	IP67
	#LPVL-150-12	DLPSLPVL150	2	120W	12 VDC	IP67
	#HLG-150H-12	DLPSHLG150H12		150W	12 VDC	IP67
Universal	L12V60UNV-A	EUL12V60UNVA	5	60W	12 VDC	IP66
	L24V100UNV-A	EUL24V100UNVA	5	100W	24 VDC	IP66



GLRGBW
Greenleaf brilliant RGB Wire sold in 50 foot or 400 meter rolls.



DLCABLE
DURA-LED CABLE UL S.R. 18/19 PLTC GRAY CABLE sold in 100 and 1000 foot rolls.

SPECIFICATION GUIDE

Kelvin	Color temperature is a way to describe the light appearance provided by a light bulb. It is measured in degrees of Kelvin (K) on a scale from 1,000 to 10,000. When backlighting, the Kelvin temperature can affect the color of your substrate.
Voltage	Most Modules are low voltage. 12V is standard, but 24V can give you longer and more efficient wire runs on a single power supply.
Modules per foot	While you can always place modules closer together, this measurement will tell you the maximum distance between one unit and the next.
Watts	Watts measure how much power each module pulls. Total modules x watts = how much watt output you need from your power supply.
Lumens	Lumens measure how much light you are getting from a Module. More lumens indicate a brighter light; fewer lumens means it's a dimmer light. When buying modules, brightness is a key factor.
Lm/W	Lumens per watt. This measurement will be important to your customer. The higher the lumens per watt, the more cost-efficient the module will be.


IP RATINGS

IP rating provides a guideline to the degree of protection provided by mechanical casings and electrical enclosures against intrusion, dust, accidental contact, and water.

IP20:	the product is touch-proof and will be resistant to dust or objects that are over 12mm in size. However, it provides no protection against liquids and will be susceptible to damage if it comes into contact with sprays of water.
IP 66:	enclosure is waterproof against hose-directed water and falling drops of rain or snow, it's not intended to be submerged in water.
IP 67:	one of the highest levels of protection offered by an IP rating. This rating provides: Complete protection against ingress of dust and airborne particles. Protection against water and liquids, up to and including immersion in up to one meter of water.
IP 68:	LEDs with this rating are resilient enough to withstand dust, dirt and sand, and are resistant to submersion up to a maximum depth of 1.5m underwater for up to thirty minutes.

S&F SUPPLIES

 [sfsupplies.com](https://www.sfsupplies.com)

 (718) 399 3333

 sales@sfsupplies.com