

## PRODUCT GUIDE

# SEG FRAMES

A Better Way to Frame



# SEG Frames

SEG aluminum frames are a clean, modern way to display signs. Lightweight and cheaper to ship, the frames are very user friendly, quick and easy to assemble, and built to last. Interchangeable graphics can be installed with minimal training by anyone at an associate level, changed as often as needed, and delivers beautiful results every time.

These ready-to-assemble kits are available in single and double-sided frames, wall displays, mounting and hanging. Other parts sold separately: cast iron legs for standing frames, mounting hardware for wall frames and silicone strips or tape for fabric insertion.

combines with  
silicone-edge graphics

see page 9 for options



## Single-sided for wall-mounted frames:

#25: 1" Single-Sided

#40: Heavy Duty 1.6" Single-Sided

#100: Heavy Duty 4" Single Sided



## Double-sided for free-standing or hanging frames:

#80: 3.1" Double-Sided

#120: 4.75" Double-Sided

Choose your size. Note: the thicker frames have space for lighting. Sizes come in 18" up to 120". Custom sizes available down to 1/16 of an inch.

**Leg mount option available.**

# GDC SOFT SIGNAGE FRAME #80 3.1" DOUBLE-SIDED

## STANDARD SIZES

|                   |          |
|-------------------|----------|
| 24" x 24" .....   | \$80.82  |
| 24" x 36" .....   | \$88.05  |
| 36" x 60" .....   | \$105.77 |
| 48" x 48" .....   | \$105.77 |
| 36" x 84" .....   | \$119.72 |
| 48" x 72" .....   | \$119.72 |
| 60" x 84" .....   | \$129.88 |
| 72" x 96" .....   | \$143.43 |
| 102" x 108" ..... | \$167.14 |
| 120" x 120" ..... | \$184.08 |

Additional sizes and options available, see page 10.

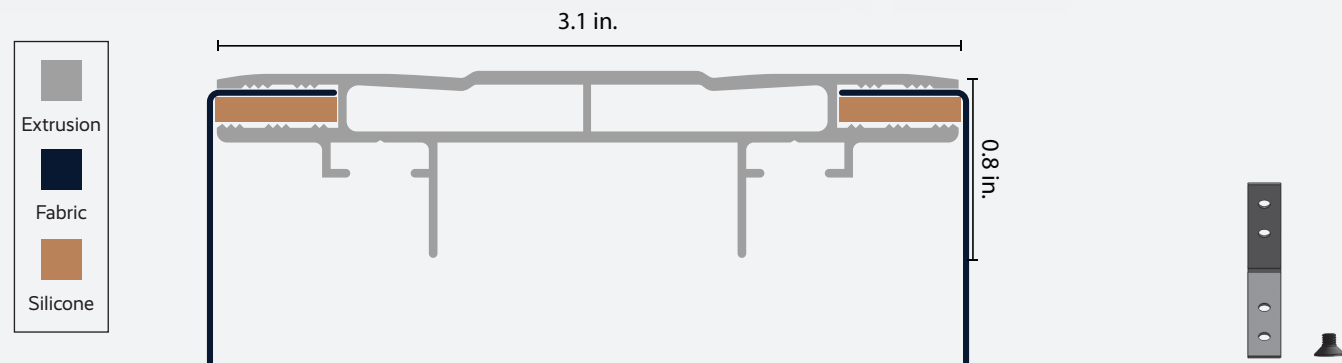


# GDC SOFT SIGNAGE FRAME #120 4.75" DOUBLE-SIDED

## STANDARD SIZES

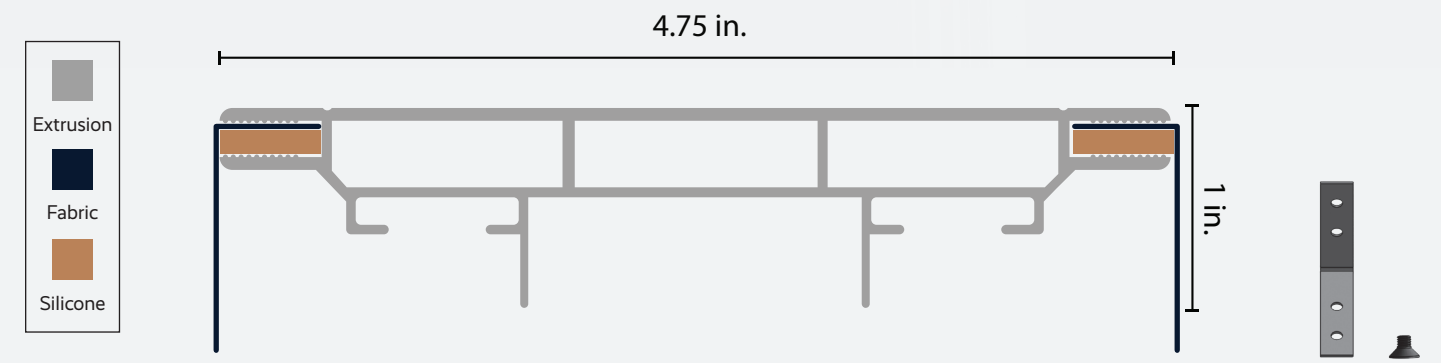
|                   |          |
|-------------------|----------|
| 24" x 24" .....   | \$106.16 |
| 24" x 36" .....   | \$119.21 |
| 36" x 60" .....   | \$152.58 |
| 48" x 48" .....   | \$152.58 |
| 36" x 84" .....   | \$177.72 |
| 48" x 72" .....   | \$177.72 |
| 60" x 84" .....   | \$197.12 |
| 72" x 96" .....   | \$221.54 |
| 102" x 108" ..... | \$264.29 |
| 120" x 120" ..... | \$294.83 |

Additional sizes and options available, see page 10.



Graphics, mounting, and silicone edge not included.  
Optional legs sold separately.

| Kit includes |         |  |
|--------------|---------|--|
| 4            | GDSF80  | GDC Soft Signage Frame #80 3.1" Double-Sided miter cut to size |
| 8            | GDSFC43 | GDC Soft Signage Frame Corner #43                              |
| 32           | GDSFS6  | GDC Soft Signage Frame Screw 5*6                               |



Graphics, mounting, and silicone edge not included.  
Optional legs sold separately.

| Kit includes |         |  |
|--------------|---------|--|
| 4            | GDSF120 | GDC Soft Signage Frame #120 4.75" Double-Sided miter cut to size |
| 8            | GDSFC50 | GDC Soft Signage Frame Corner #50                                |
| 32           | GDSFS6  | GDC Soft Signage Frame Screw 5*6                                 |

# GDC SOFT SIGNAGE FRAME #25 1" SINGLE-SIDED

### STANDARD SIZES

|                   |         |
|-------------------|---------|
| 24" x 24" .....   | \$60.76 |
| 24" x 36" .....   | \$63.28 |
| 36" x 60" .....   | \$68.26 |
| 48" x 48" .....   | \$68.26 |
| 36" x 84" .....   | \$73.11 |
| 48" x 72" .....   | \$73.11 |
| 60" x 84" .....   | \$75.76 |
| 72" x 96" .....   | \$80.48 |
| 102" x 108" ..... | \$88.73 |
| 120" x 120" ..... | \$94.63 |

*Additional sizes and options available, see page 10.*

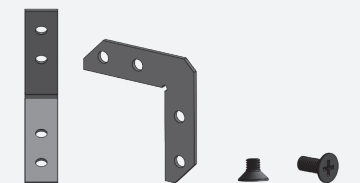
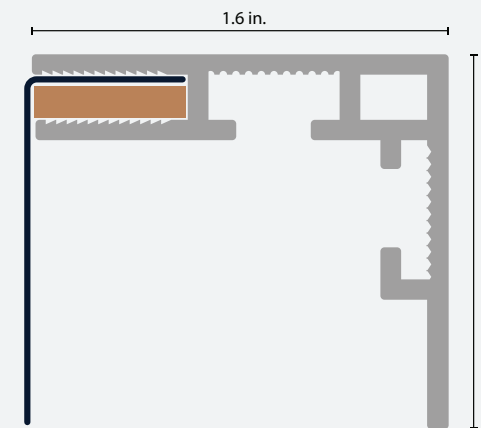
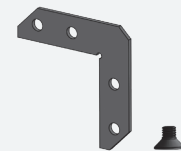
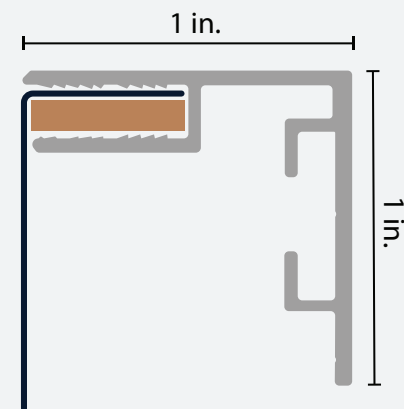


# GDC SOFT SIGNAGE FRAME #40 HEAVY DUTY 1.6" SINGLE-SIDED

### STANDARD SIZES

|                   |          |
|-------------------|----------|
| 24" x 24" .....   | \$77.86  |
| 24" x 36" .....   | \$87.60  |
| 36" x 60" .....   | \$100.07 |
| 48" x 48" .....   | \$100.07 |
| 36" x 84" .....   | \$112.59 |
| 48" x 72" .....   | \$112.59 |
| 60" x 84" .....   | \$121.56 |
| 72" x 96" .....   | \$133.73 |
| 102" x 108" ..... | \$155.02 |
| 120" x 120" ..... | \$170.22 |

*Additional sizes and options available, see page 10.*



*Graphics, mounting, and silicone edge not included.*

| Kit includes |         |  |
|--------------|---------|--|
| 4            | GDSF25  | GDC Soft Signage Frame #25 1" Single-Sided miter cut to size |
| 4            | GDSFC45 | GDC Soft Signage Frame Corner #45                            |
| 16           | GDSFS6  | GDC Soft Signage Frame Screw 5*6                             |

*Graphics, mounting, and silicone edge not included.*

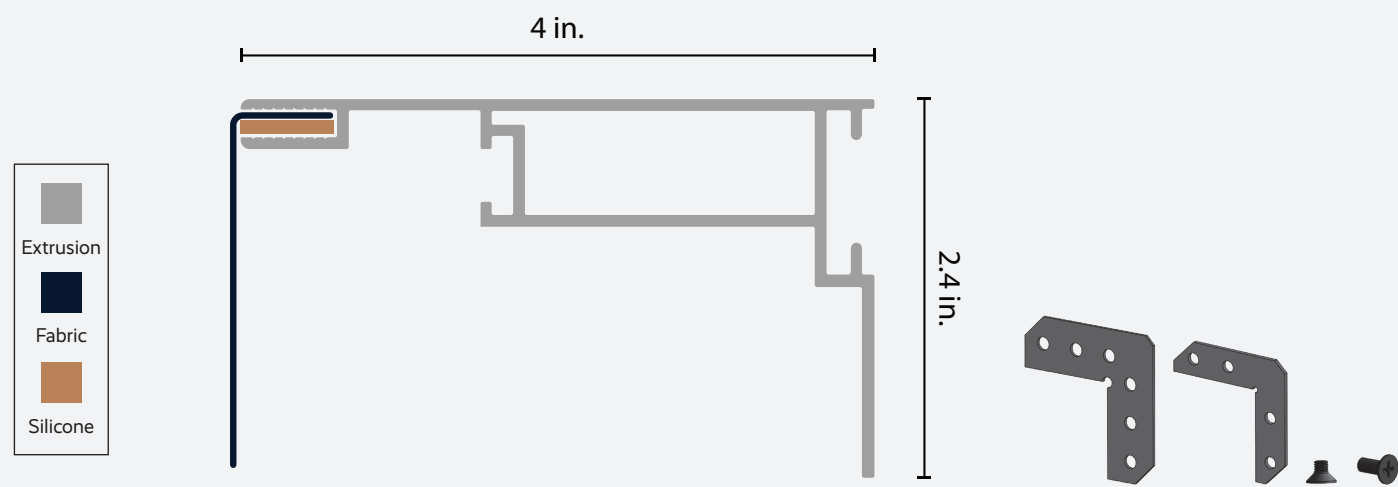
| Kit includes |         |   |
|--------------|---------|---|
| 4            | GDSF40  | GDC Soft Signage Frame #40 1.6" Single-Sided Heavy Duty miter cut to size |
| 4            | GDSFC45 | GDC Soft Signage Frame Corner #45   |
| 4            | GDSFC43 | GDC Soft Signage Frame Corner #43   |
| 16           | GDSFS6  | GDC Soft Signage Frame Screw 5*6  |
| 16           | GDSFS8  | GDC Soft Signage Frame Screw 5*8  |

# GDC SOFT SIGNAGE FRAME #100 HEAVY DUTY 4" SINGLE SIDED

## STANDARD SIZES

|                   |          |
|-------------------|----------|
| 24" x 24" .....   | \$110.23 |
| 24" x 36" .....   | \$124.49 |
| 36" x 60" .....   | \$161.19 |
| 48" x 48" .....   | \$161.19 |
| 36" x 84" .....   | \$188.67 |
| 48" x 72" .....   | \$188.67 |
| 60" x 84" .....   | \$210.04 |
| 72" x 96" .....   | \$236.74 |
| 102" x 108" ..... | \$283.47 |
| 120" x 120" ..... | \$316.85 |

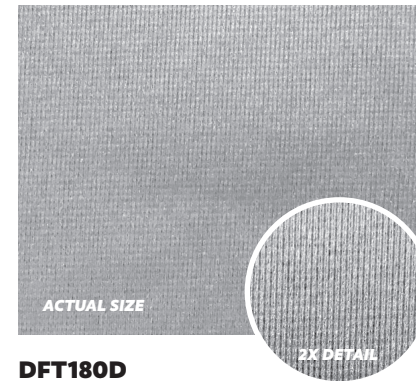
Additional sizes and options available, see page 10.



Graphics, mounting, and silicone edge not included

| Kit includes |         |  |
|--------------|---------|--|
| 4            | GDSF100 | GDC Soft Signage Frame #100 4" Single-Sided Heavy-duty miter cut to size |
| 4            | GDSFC70 | GDC Soft Signage Frame Corner #70  |
| 4            | GDSFC44 | GDC Soft Signage Frame Corner #44  |
| 24           | GDSFS8  | GDC Soft Signage Frame Screw 5*8   |
| 16           | GDSFS6  | GDC Soft Signage Frame Screw 5*6   |

## FOR BEST RESULTS USE GDC FRAMES WITH:



**DFT180D**  
*DigiFabTex Premium Fabric*

A soft polyester fabric that is lightweight and crease-free. Use for double-sided lightbox frames and retail displays.

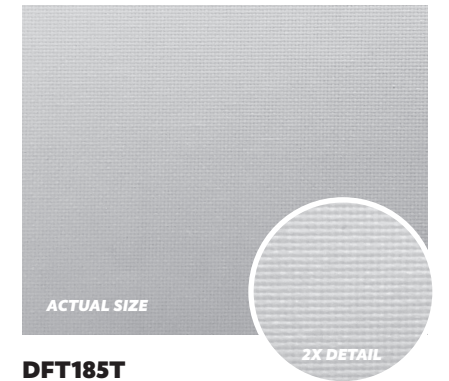
|                   |                    |                                |                                     |
|-------------------|--------------------|--------------------------------|-------------------------------------|
| 100%<br>POLYESTER | 5.3oz<br>(180 GSM) | NFPA<br>701<br>FLAME RETARDANT | DYE TRANSFER<br>DYE DIRECT<br>LATEX |
|-------------------|--------------------|--------------------------------|-------------------------------------|



**DFT280D**  
*DigiFabTex Premium Fabric*

This fabric provides a heftier feel in a heavy-weight knit, and is ideal for table skirts and coverings and backdrop applications.

|                   |                    |                                |                            |
|-------------------|--------------------|--------------------------------|----------------------------|
| 100%<br>POLYESTER | 8.3oz<br>(280 GSM) | NFPA<br>701<br>FLAME RETARDANT | DYE TRANSFER<br>DYE DIRECT |
|-------------------|--------------------|--------------------------------|----------------------------|



**DFT185T**  
*DigiFabTex Premium Woven Fabric*

A specialty woven fabric, DigiFabTex Premium Woven is an excellent choice for backlit applications, and can be printed on with a wide range of printing technologies.

|                   |                    |                                |   |
|-------------------|--------------------|--------------------------------|---|
| 100%<br>POLYESTER | 5.5oz<br>(185 GSM) | NFPA<br>701<br>FLAME RETARDANT | DYE TRANSFER<br>LATEX<br>SOLVENT /<br>ECO SOLVENT<br>UV |
|-------------------|--------------------|--------------------------------|---|



**LYETEX**  
*Silicone Edge Tex Tape*

Create SEG graphics without an industrial sewing machine with EDGE-Tex Tape from Admiral Tapes. Easily apply EDGE-Tex by hand to the back of printed graphics for a strong bond. Insert into an aluminum frame creating a perfectly taut surface.



**GDSE650**  
*Silicone Edge Strip*

Silicone Edge Strips are sewn directly onto dye-sub fabric edge and inserted into the groove of an aluminum frame. The insertion process is so quick and simple, anyone can do it. Interchangeable graphics can be replaced as often as needed for sleek and attractive advertising.

All statements, technical information, and recommendations listed above shall be used as a guide, based upon an average of test results believed to be reliable, but do not constitute a guarantee or warranty. Purchasers and users should independently test to determine the product's suitability for a particular application and/or print method. Small variations may occur in production. Subject to change without notice.



GDC  
DISPLAY

SOLD EXCLUSIVELY AT

**S&F** | **SUPPLIES**

718.399.3333 | [sfsupplies.com](http://sfsupplies.com)