



ING • SIGN FABRICATORS • DIGITAL PRINT & PHOTO LAB CUSTOM PICTURE FRAMER • PROFESSIONAL ARTIST • HOBBYIST • ARTS & GRAPHIC MATTING

Fletcher 3100[®] Multi-Material Cutter

Interchangeable
Cutting Head Technology

Score &
Break-Out Feature
For Glass & Acrylic



Matboard
4, 8, 12 ply

MDF
Up to 3/32" (2.4mm)

**Aluminum
Sheets**
Up to .040"

**Backing
Board**
Up to 3/32" (2.4mm)

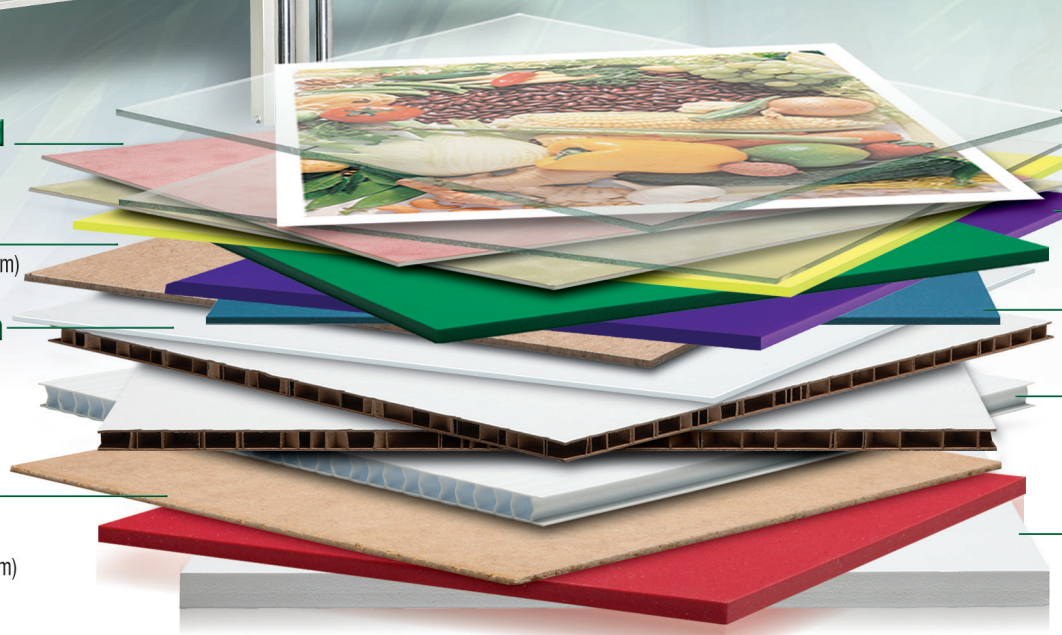
Glass
Up to 1/4" (6mm)

PVC
Up to 1/4" (6mm)

Acrylic
Up to 1/4" (6mm)

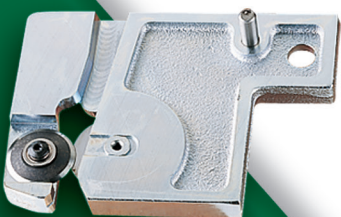
**Corrugated
Plastics**
Up to 1/2" (13mm)

Foamboard
Up to 1/2" (13mm)



Accurate. Versatile. Durable. Profitable. Proven.

Since 1868, Fletcher-Terry has revolutionized advanced cutting solutions for numerous global industries. Our versatile 3100 Multi-Material Cutter features a spring-loaded cutting assembly with an interchangeable pillar post allowing you the convenience of quickly switching from one material to another.



Part # 12-212

NEW Interchangeable Cutting Head
Cuts ACM Up to 2mm



Material Cutting & Finishing

www.fletcher-terry.com



www.fletcher-terry.com

SIGN FABRICATORS • DIGITAL PRINT AND PHOTO LABS • CUSTOM PICTURE FRAMER • PROFESSIONAL ARTIST • HOBBYIST • ARTS & GRAPHIC MATTING •

Plastics & Acrylics
Up to 1/4" (6mm)

Gator Board
Up to 1/2" (13mm)

Aluminum Sheets
Up to .040"

MDF
Up to 3/32" (2.4mm)
ACM Up to .078" (2mm)

Glass
Up to 1/4" (6mm)

Interchangeable
Cutting Heads



3100 Technical Specs

Cutting Head: Rides on high tensile strength steel, hard chrome plated and polished, resulting in smoother gliding action for consistent cutting head performance and longevity.

Vertical Bars: Rails do not bend or flex during the cutting process for straight, accurate cutting over the entire substrate height.

Material Clamping System: Patented lever-type clamping system that secures in place various substrate heights up to 63" (160cm) to prevent buckling and shifting of material during the cutting process.

Unique Performance Features

- Interchangeable Cutting Head Technology
- Cuts clean debris-free, no secondary processing
- Optional laser sight line for accurate cutting
- Mounts on wall or free-standing
- Cuts wide range of substrates

Part No Information

Part # 04-715

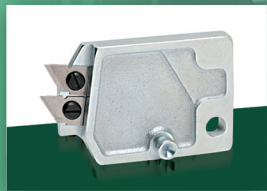
F3100 Multi-Material Cutter

F3100 Purchase Package-# 04-715

- (4) Pillar Posts
- Mat/Foamboard
- Plastic
- MDF
- Glass
- (10) Mat/Foamboard Blades
- (10) Plastic Blades
- (10) Steel 120° Glass Wheel Units
- (1) MDF Cutting Wheel Set
- (4) Wall Mounting Brackets
- (1) Manual

Options & Replacement Accessories

- 04-116** PVC Cutting Pillar Post (blades separate, see 05-711)
- 05-711** PVC Cutting Blades (10/tube)
- 05-715** MDF Cutting Wheel Set
- 05-716** Aluminum Cutting Wheel Set
- 05-711** M81 Mat Blade (10/tube)
- 05-004** Utility/Rail Cutter Blades (100/box)
- 04-101** Optional Mounting Stand
- 04-114** 3100 Measuring Stop

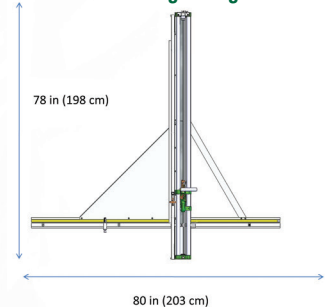


Double-blade Pillar Post for cutting PVC materials

Stand Mounting Configuration



Wall Mounting Configuration



3100 Market Users

Sign & Graphic
Picture Framing
Digital Printers

Glass & Glazing
Government Agencies

Fletcher Business Group

www.fletcher-terry.com 800.843.3826